

# Model EX5100 Express Tabber

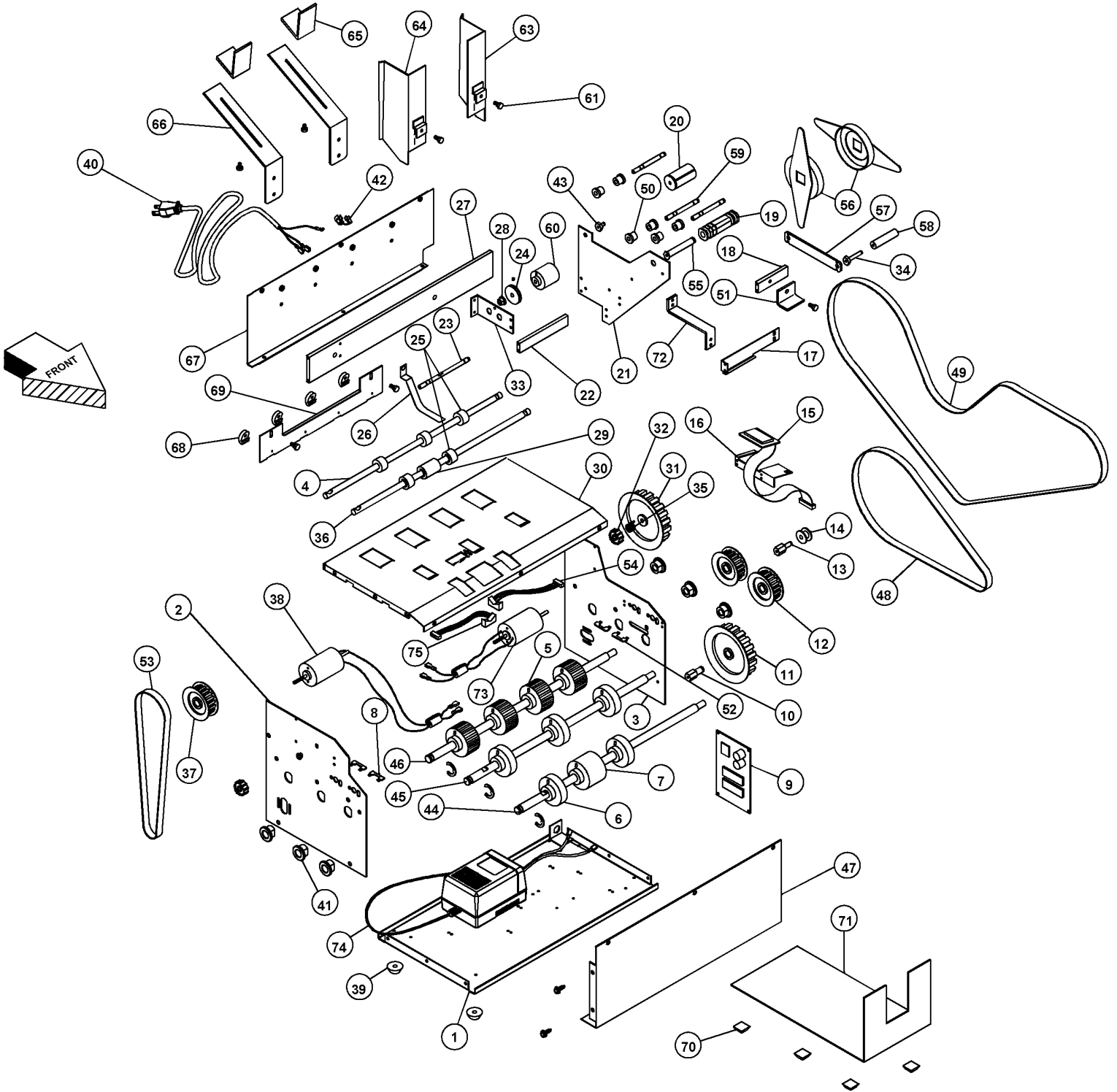
## PARTS LIST

Item	Part No.	Qty.	Description	Item	Part No.	Qty.	Description
1.	W-O501104	1	Bottom Panel	38.	W-A501183	1	Asy Tab Motor 5mm Bore
2.	W-O501114	1	Tabber Right Side Frame	39.	M-S030045	4	Rubber Foot
3.	W-O501115	1	Tabber Left Side Frame	40.	M-S037020	1	115V USA Line Cord
4.	W-O501206	1	Upper Middle Shaft	41.	M-S013024	6	Media Drive Bushing
5.	M-O501006	4	Media Feed Wheel	42.	M-S035015	1	Strain Relief #SR-5P-4
6.	M-O501403	5	Media Drive Roller	43.	W-O501215	1	Back Tape Mounting Post
7.	W-O501604	1	Tab Back-Up Roller	44.	W-O501204	1	Exit Shaft
8.	W-O501622	2	Right Pressure Arm	45.	W-O501203	1	Media Drive Shaft
9.	W-O501005	1	Tabber Logic Board	46.	W-O501201	1	Feeder Shaft
10.	W-O501220	1	20 X 80T Pulley Post	47.	W-O501103	1	Rear Panel
11.	M-O501003	1	20 X 80T Dual Pulley	48.	M-S025042	1	95T 3MM HDT Belt
12.	M-S022134	2	28T 3MM HDT Pulley	49.	M-S025046	1	204T Timing Belt
13.	W-O501609	1	Belt Idler Pulley Post	50.	M-O501304	6	Tab Guide Spool
14.	W-O501610	1	Belt Idler Pulley	51.	M-O501607	1	Tab Support Guide
15.	W-A501181	1	LCD Display Assembly	52.	W-O501621	2	Left Pressure Arm
16.	W-O501618	1	LCD Display Bracket	53.	M-S025041	1	130T 3MM HDT Belt
17.	W-O501113	1	EX5100 Tab Peel Plate	54.	M-S045285	1	Sensor Retro Rflct
18.	W-O501216	1	Peel Mounting Bar	55.	W-O501212	1	Tab Reel Spindle Post
19.	W-O501303	1	Tab Reel Spindle	56.	M-O501010	2	Tab Reel and Guide
20.	W-O501306	1	Take-Up Spool	57.	W-O501218	1	Tab Reel Brake Link
21.	W-O501109	1	Tabber Dispenser Frame	58.	W-O501050	1	Tab Reel Brake Roller
22.	W-O501606	1	Tab Support Bar	59.	W-O501214	3	Tab Spool Guide Post
23.	W-O501209	1	Dispenser Drive Shaft	60.	W-A501601	1	Tab Drive Roller
24.	W-O501305	1	Take-Up Drive Pulley	61.	M-S032004	2	#10-32X3/8 Ny.Thumb Screw
25.	M-O501602	5	Drive Pressure Roller	63.	W-O501107	1	Left Media Guide, Tabber
26.	W-O501119	1	Feeder Exit Guide	64.	W-O501108	1	Right Media Guide, Tabber
27.	W-O501219	1	Cross Bar	65.	W-I501611	2	Media Feed Adjust Brkt.
28.	W-O501031	2	Bushing with Flat	66.	W-I501612	2	Media Support Bracket
29.	W-O501603	1	Tab Pressure Roller	67.	W-O501102	1	Front Panel
30.	W-O501101	1	Top Panel	68.	M-O501004	4	Media Separator
31.	M-O501015	1	72T Feed Drive Pulley	69.	W-O501614	1	Separator Frame
32.	M-O501012	2	Bore 5mm 10T Pulley	70.	M-S61000039	4	Rubber Bumpers
33.	W-O501608	1	Dispenser Shaft Bracket	71.	W-O501620	1	Exit Tray
34.	W-O501213	1	Brake Link Post	72.	W-O501615	1	Peel Plate Support Bracket
35.	M-S031033	1	Clutch Spring	73.	W-A501184	1	Asy Med Motor 5mm Bore
36.	W-O501207	1	Upper Exit Shaft	74.	W-A501222	1	120VAC Transformer
37.	M-O501014	1	60T Drive Pulley	75.	M-S045313	1	Long Range Retro Sensor

### Parts List for Non - Illustrated Parts

WRA500022	2	#10 Blue Thumb Screw Knob	M-S031029	4	Pressure Arm Spring
WRA500021	5	#10 Black Thumb Screw Knob	M-S033025	1	On/Off Switch SPST 16A
W-O501109	1	Tabber Dispenser Frame	M-S033026	2	Momentary Switch
WRA501001	1	Left Side Cover	W-A501025	1	Media Switch Cable
M-O501002	1	Right Side Cover	W-A501026	1	Tab Switch Cable
M-S023030	1	#203 O-Ring EPDM	W-A501182	2	Tab Sensor Cable Assy
M-S023031	2	11/16" ID O-Ring	WRA501175	1	18" Power Cable
M-S023033	1	Take-Up Drive Belt			

# PARTS DIAGRAM



**MARTIN YALE**  
Industries

251 Wedcor Avenue • Wabash, IN 46992

Phone: (260) 563-0641 • Fax: (260) 563-4575

website: [www.martinyale.com](http://www.martinyale.com) • email: [info@martinyale.com](mailto:info@martinyale.com)