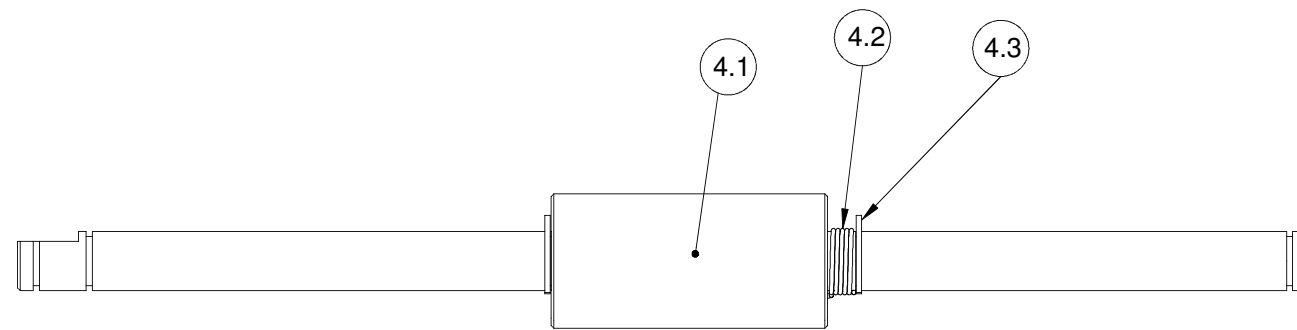




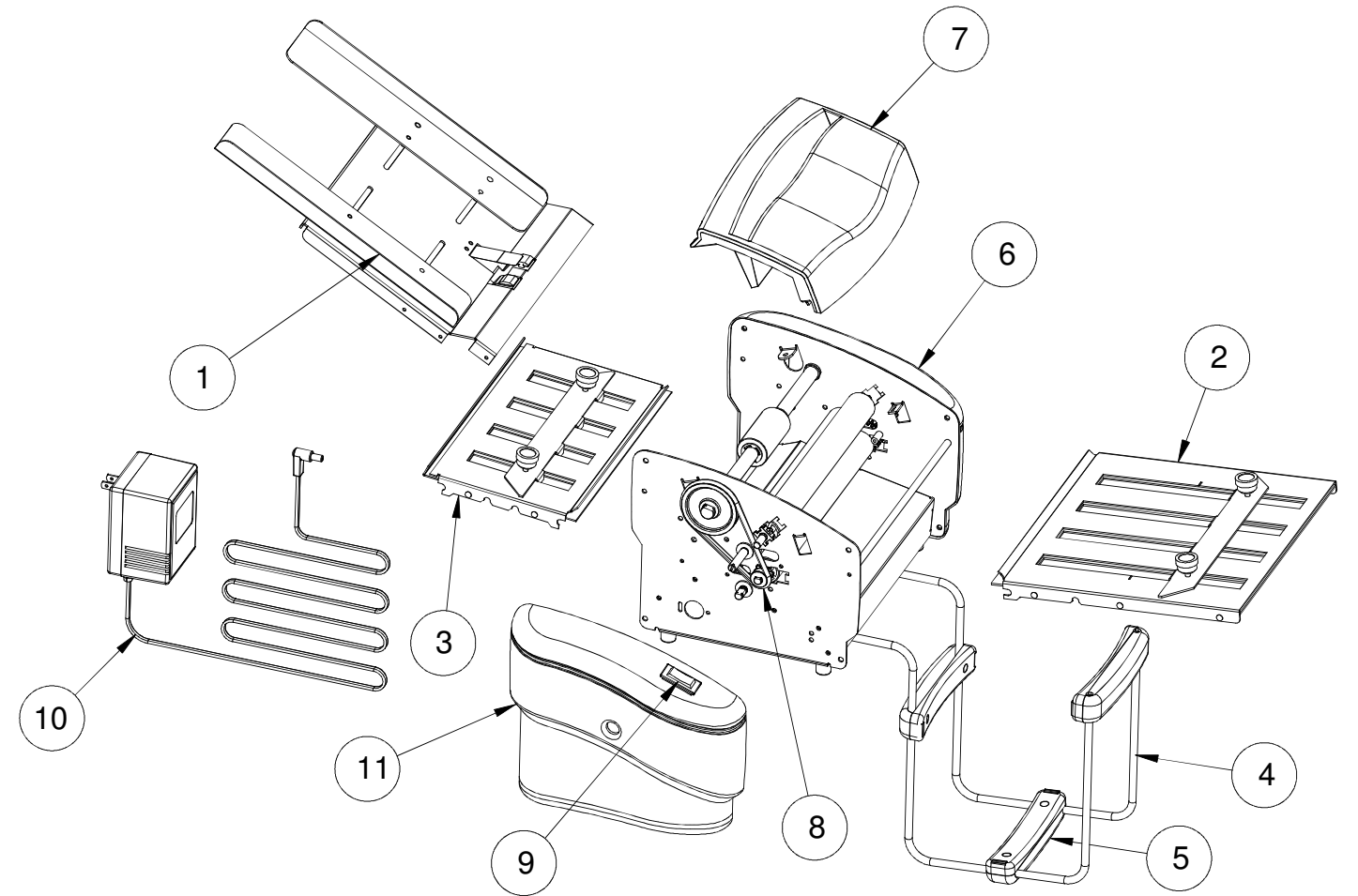
MARTIN YALE Industries

P7200 Autofeed Desktop Folder Parts List



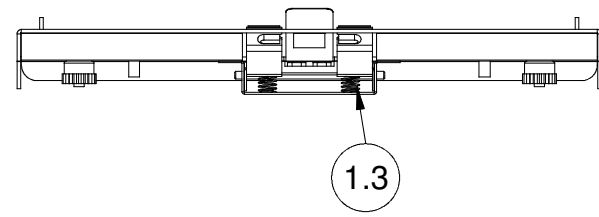
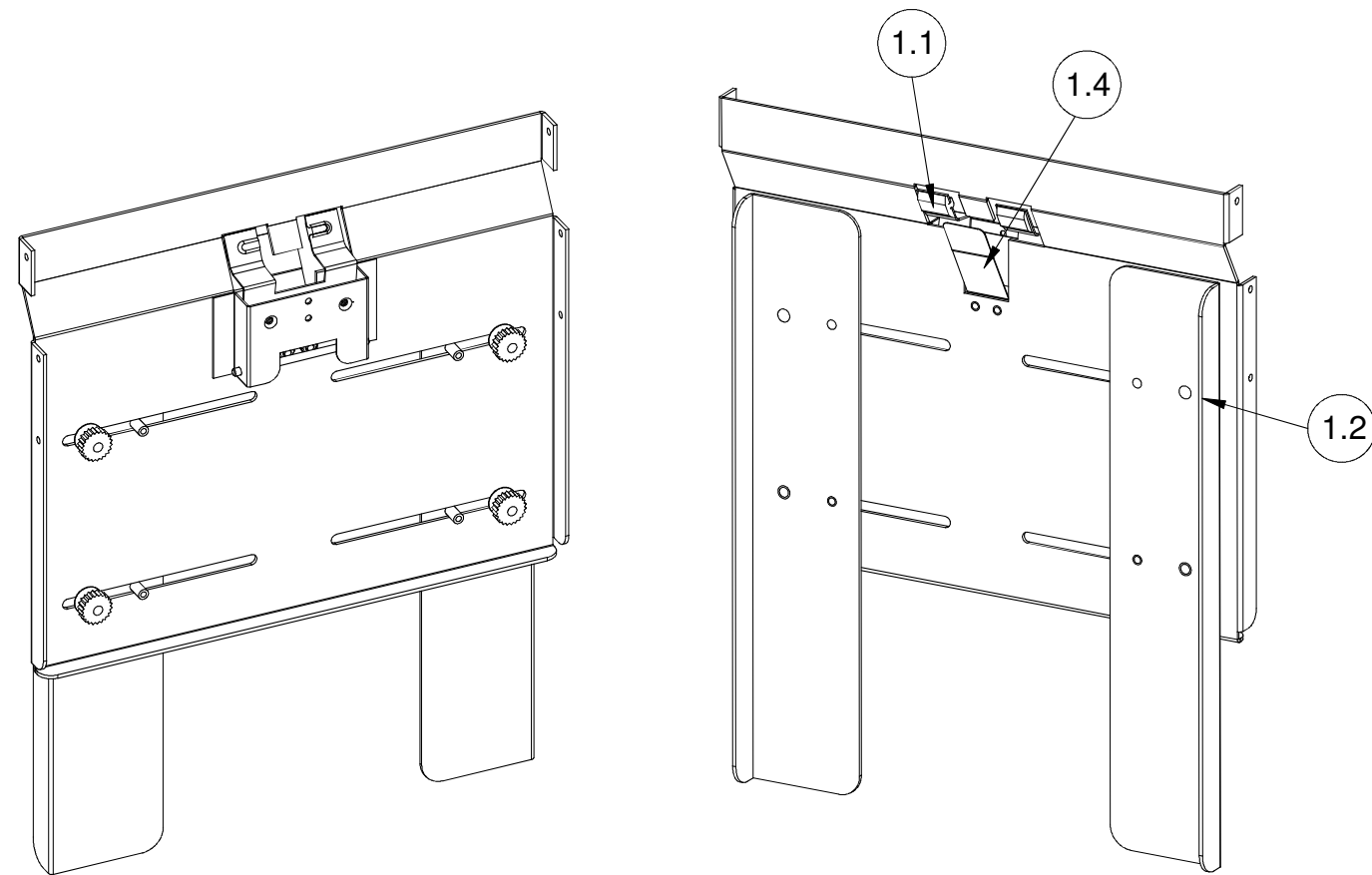
ITEM NO.	QTY.	PART NO.	DESCRIPTION
4.1	1	MRO720085	FEED TIRE ASSY
4.2	1	MRO720082	CLUTCH SPRING
4.3	2	MRS010052	EXT. E-RING 12MM SHAFT 8MM GROOVE

Feed Shaft Assembly



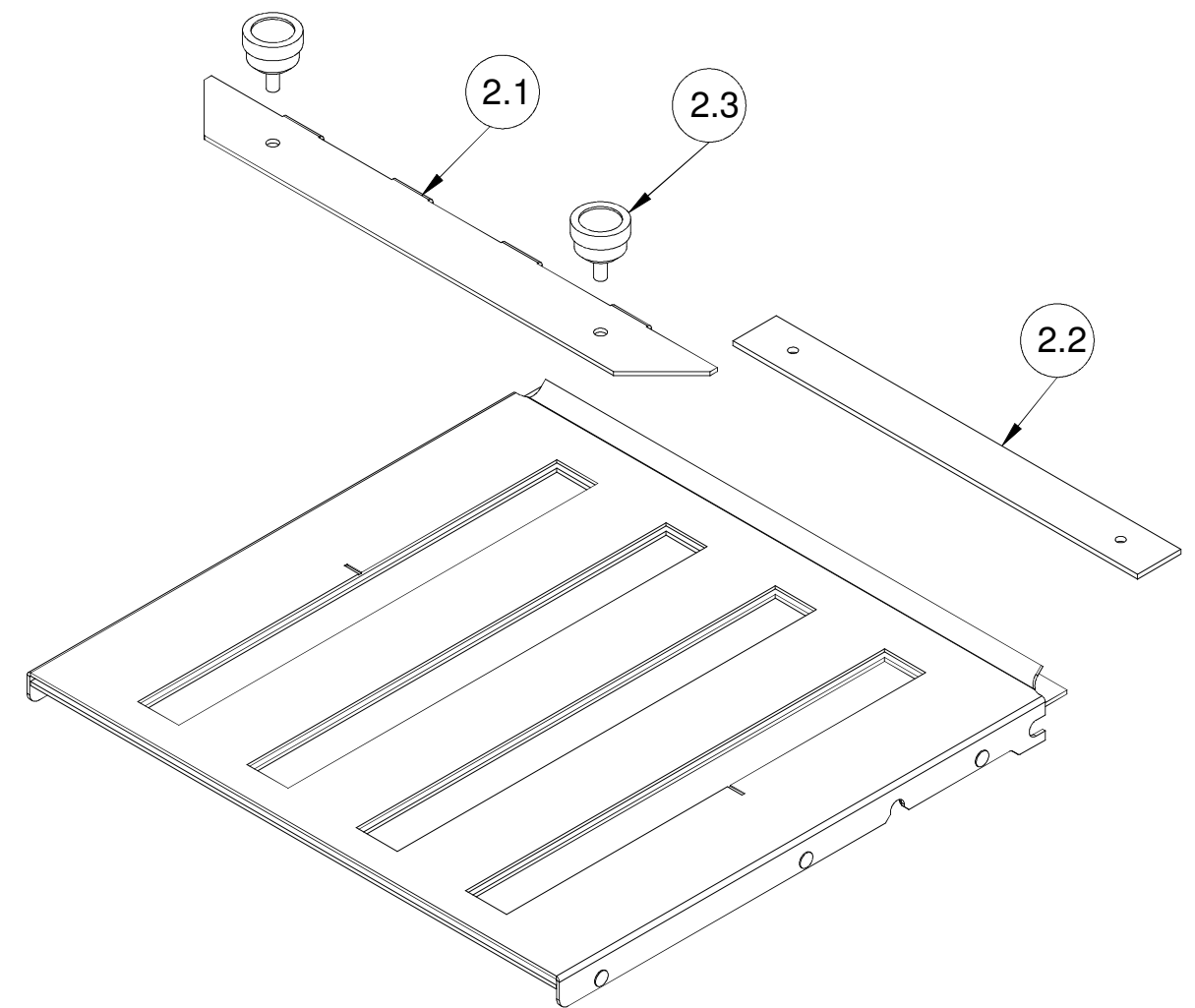
ITEM NO.	QTY.	PART NO.	DESCRIPTION
1	1	MRO720021	ASSEMBLY, FEED TRAY
2	1	MRO720051	1ST FOLD TABLE ASSY
3	1	MRO720052	2ST FOLD TABLE ASSY
4	1	WRA720092	P7200/P7400 CATCH TRAY ASSEMBLY
5	1	MRO720011	STACK TRAY CONN SET
6	1	MRO720038	LF SIDE CVR(W/OSW)
7	1	MRO720058	TOP COVER
8	1	MRO720069	O RING 2.90DIA,0.205
8A	1	M-S025071	97MXL TOOTHED BELT
9	1	MRO720008	POWER SWITCH
10	1	MRS045198	24VDC 1.2A WALL SUPP (115VAC, N. AMERICA)
10A	1	M-S045436	24VDC, TABLE TOP POW. SUPPLY (EUR. & UK)
10B	1	M-S037404	EUR. POWER CORD (CEE 7/7 PLUG)
10C	1	M-S037405	UK POWER CORD
11	1	MRO720037	RIGHT SIDE CVR(W/SW)
NOT SHOWN			
QTY.		PART NO.	DESCRIPTION
1		MRS045196	POWER RECEPTACLE
1		MRO720095	122 TEETH MXL BELT, 6MM WIDE
1		MRO720093	STATIC CORD

Top Level Parts Breakdown



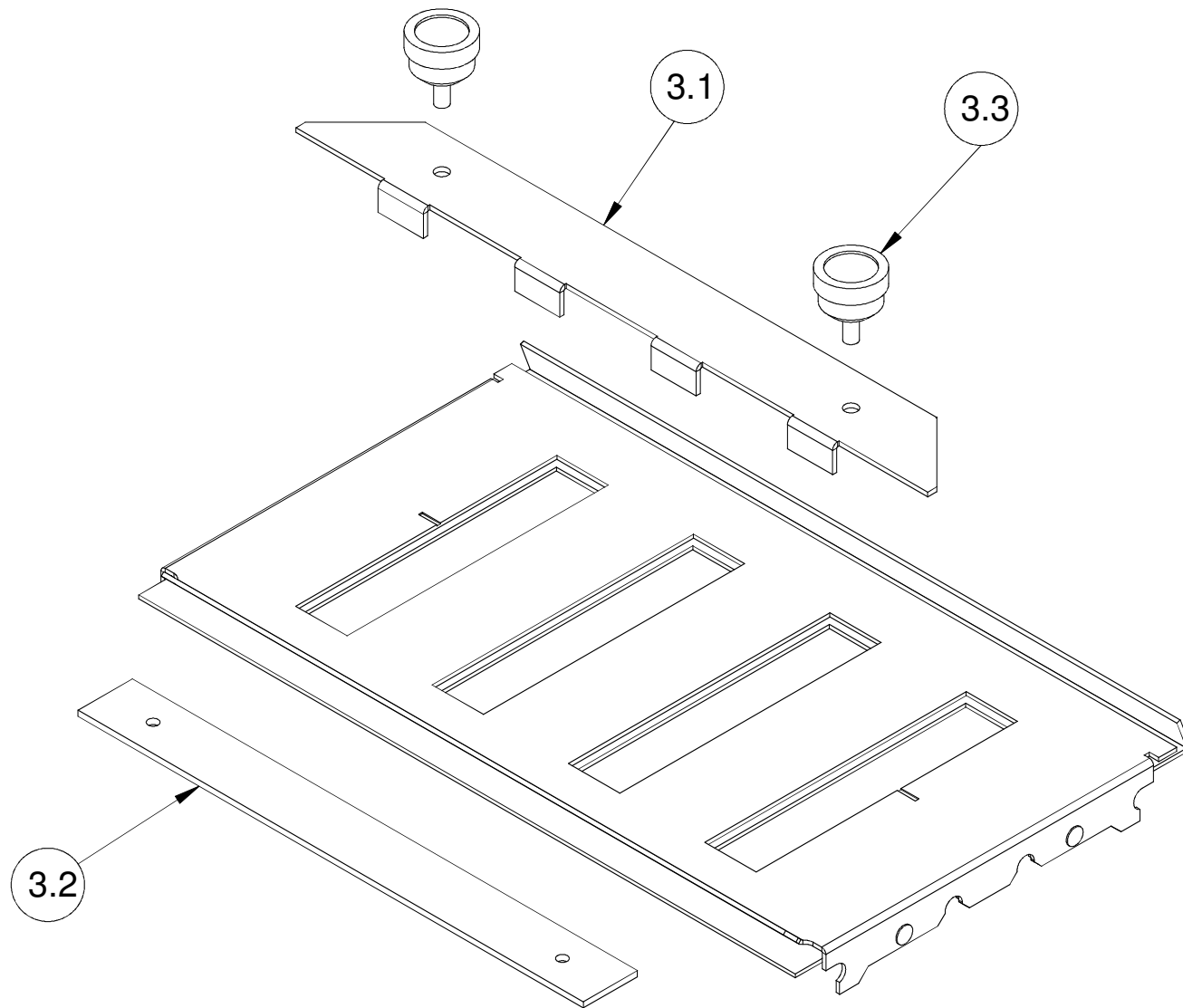
ITEM NO.	QTY.	PART NO.	DESCRIPTION
1.1	2	MRO720020	RETARDER BUTTON
1.2	1	MRO720009	PAPER GUIDE SET COMP
1.3	2	MRO720071	COMP SPR .63LGX.24OD
1.4	1	MRO720024	PAPER LIFT SPRING

**Feed Tray Assembly
MRO720021**



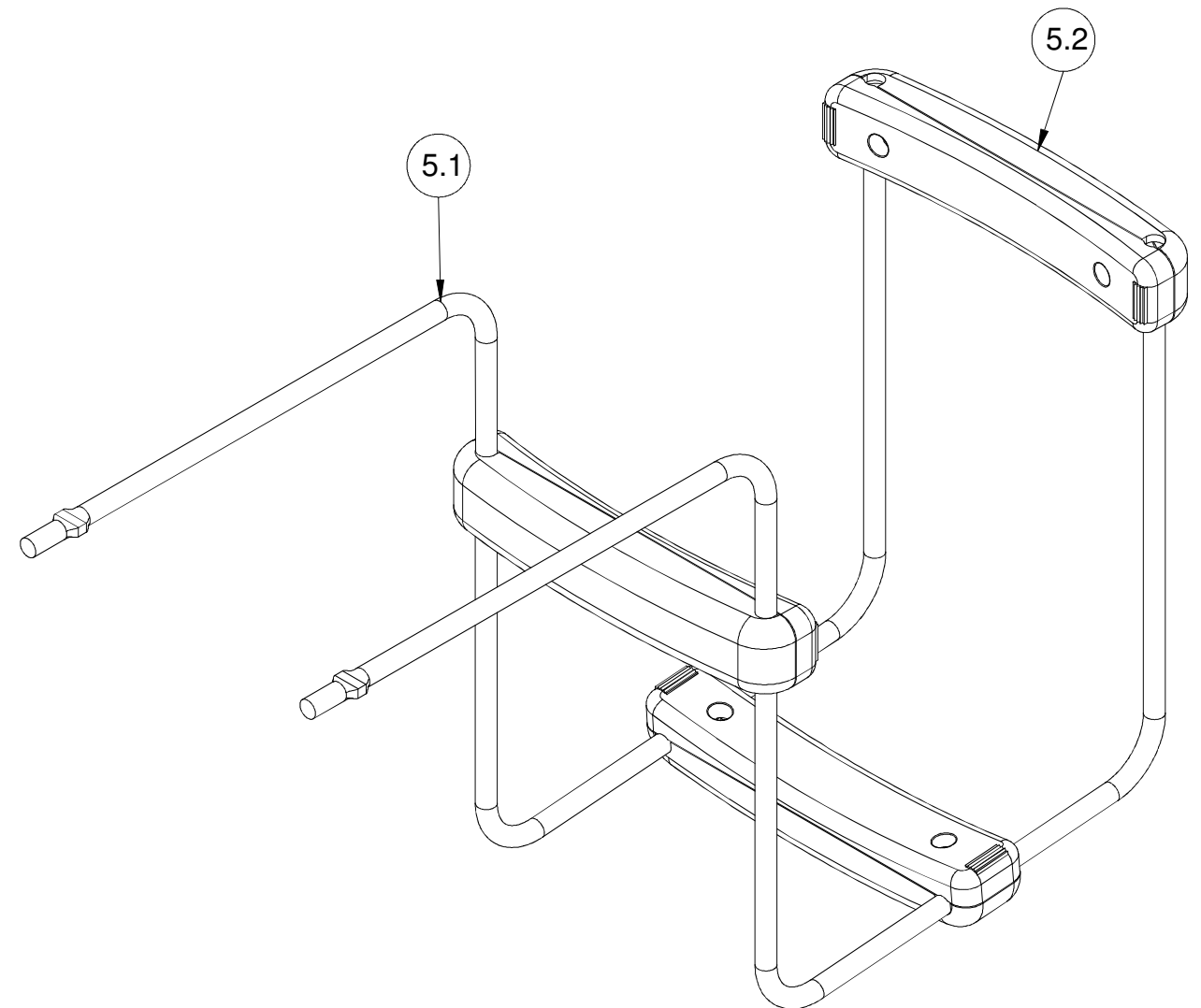
ITEM NO.	QTY.	PART NO.	DESCRIPTION
2.1	1	MRO720055	PAPER STOP BRKT
2.2	1	MRO720056	PAPER STOP LCKNG BAR
2.3	2	MRO720005	KNOB FOR PAPER STOP
NOT SHOWN			
	QTY.	PART NO.	DESCRIPTION
	2	MRO7200029	P7200 1ST FOLD RULER

**1st Fold Table Assembly
MRO720051**



ITEM NO.	QTY.	PART NO.	DESCRIPTION
3.1	1	MRO720055	PAPER STOP BRKT
3.2	1	MRO720056	PAPER STOP LCKNG BAR
3.3	2	MRO720005	KNOB FOR PAPER STOP
NOT SHOWN			
QTY.		PART NO.	DESCRIPTION
2		MRO7200030	P7200 2nd FOLD RULER

2nd Fold Table Assembly MRO720052



ITEM NO.	QTY.	PART NO.	DESCRIPTION
5.1	2	WRA720092	STACK TRAY COMPLETE
5.2	3	MRO720011	STACK TRAY CONN SET

Catch Tray Assembly WRA720092