

WC36 TRIMMER TABLE

ASSEMBLY INSTRUCTIONS

Model WC36Cart



Serial Number: _____

Date: _____

my OFFICE
PRODUCTS

TABLE OF CONTENTS

ABOUT	1
SPECIFICATIONS	1
FEATURES.....	1
PARTS DIAGRAM	2
COMPONENTS.....	3
ASSEMBLY	4
1. AFFIXING RIGHT LEGS.....	4
2. AFFIXING LEFT LEGS	5
3. INSTALLING SUPPORT RAIL	6
4. INSTALLING CASTERS	7
5. ATTACHING THE SHELF	8

ABOUT

Specifications

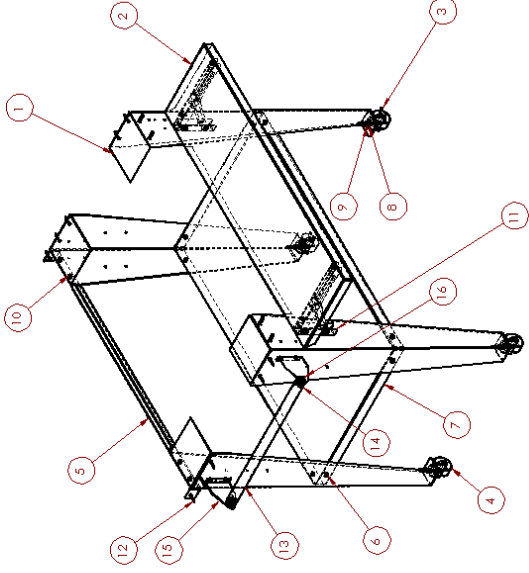
Sheet Capacity (20lb bond)	20 sheets
Board Thickness	.75 inches
Dimensions	47" x 25" x 36"
Weight	97.6 lbs

Features

- Self-sharpening blade
- Patented blade latch
- Finger guard
- Non-skid rubber feet
- Ergonomic, soft-grip handle
- Paper Clamp
- Made in the USA

Parts Diagram

ITEM NO.	PART NUMBER	QTY.
1	W-OVWC35001	4
2	W-OVWC35003	1
3	SWIVEL CASTER LOCKING	2
4	SWIVEL CASTER	2
5	W-OVWC35004	1
6	IM-S001022	20
7	W-OVWC35002	1
8	IM-S008143	4
9	IM-S007019	4
10	IM-S007008	24
11	IM-S036015	2
12	IM-S004100	14
13	W-OVWC35005	1
14	IM-S037850	2
15	W-OVWC35007	2
16	IM-S003107	2



DRAWING SCALE: 1:16

251 REDOR AVE.
MARTIN YALE INDUSTRIES
MAY 19 10 43 AM '07
PH (408) 433-7807

MARTIN YALE
Industries

1. NO DIMENSIONS FOR TOOLS, MARKS, OR OTHER SURFACES PERMITTED. ALL SURFACES TO BE FREE OF BURRS AND SHARP EDGES.

2. COMMERCIAL TOLERANCES AND QUALITY STANDARDS SHALL APPLY UNLESS SPECIFIED OTHERWISE.

3. DIMENSIONS IN INCHES (AND INCLUDE FINISHES AS NOTED).

4. DO NOT SCALE DRAWING.

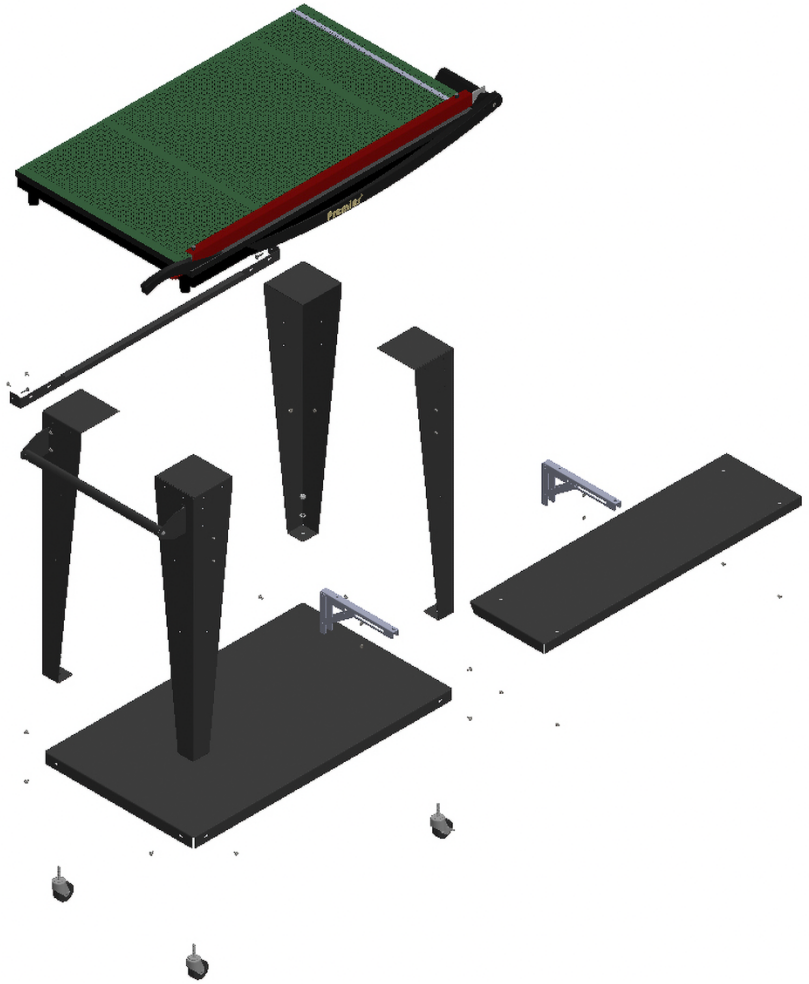
DATE: 11/17/07
DRAWING: 421071707071
PARTS: 11/17/07
TRAINER: 42107170710717071
MATERIAL: 11/17/07
REV: 0
SHEET: 0
SHEET TOTAL: 0

DATE: 11/17/07
DRAWING: 42107170710717071
PARTS: 11/17/07
TRAINER: 42107170710717071
MATERIAL: 11/17/07
REV: 0
SHEET: 0
SHEET TOTAL: 0

DATE: 11/17/07
DRAWING: 42107170710717071
PARTS: 11/17/07
TRAINER: 42107170710717071
MATERIAL: 11/17/07
REV: 0
SHEET: 0
SHEET TOTAL: 0

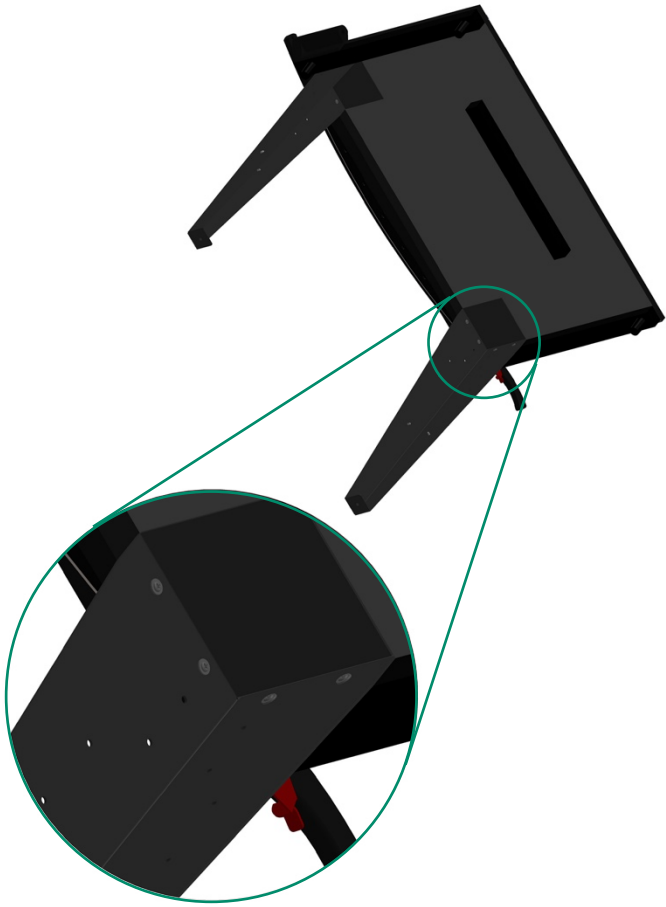
PART MUST BE ROHS COMPLIANT
ROHS (Restriction of Hazardous Substances)

REPART 433 and 474 IN CHINA WITH ROHS COMPLIANT. WE MAKE IT RIGHT. CUSTOMER SERVICE: 1-800-433-7807. FAX: 408-433-7807. WWW.MYI-IND.COM



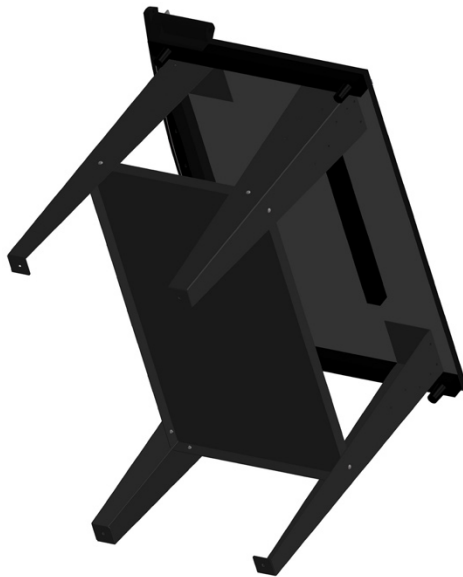
Components

ASSEMBLY



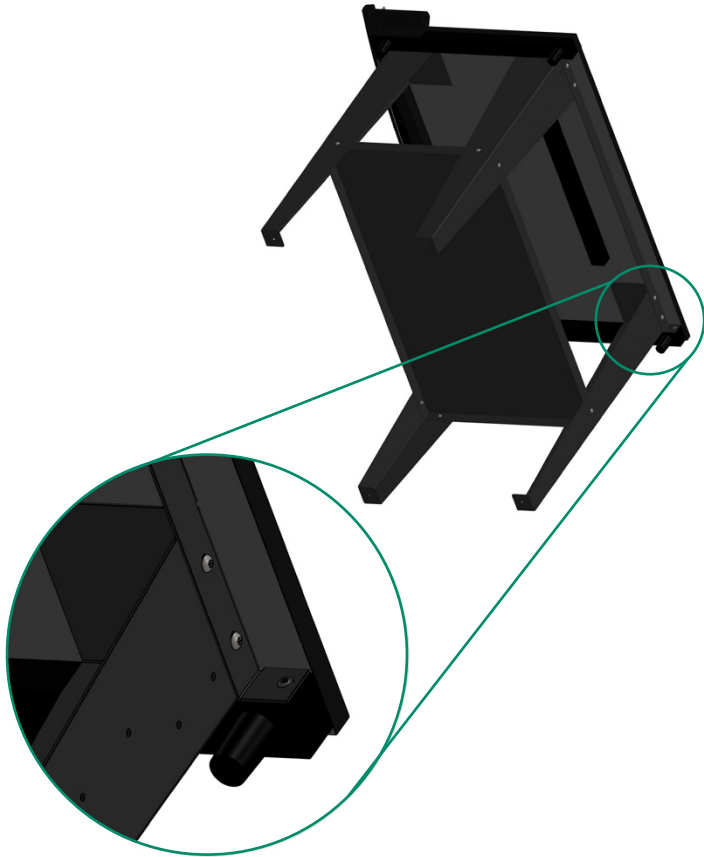
1. Affixing Right Legs

Affix first two legs (blade side) as shown using (8) #8 x 1" LG wood screws. Be certain to pre-drill $3/32"$ x $1\ 1/4"$ deep in the board has not been pre-drilled.



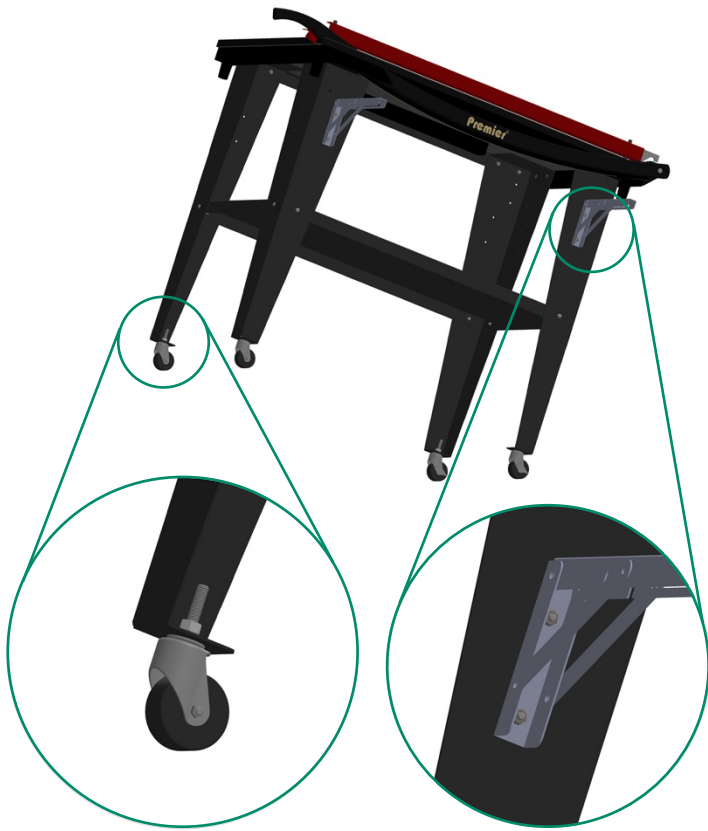
2. Affixing Left Legs

Loosely assemble the shelf with (8) #10 x 3/8 truss head screws and #10-32 lock nuts. Then position the next two legs to the cutting table. Affix the remaining two legs with (4) #8 x 1" long wood screws, again pre-drilling pilot holes if necessary.



3. Installing Support Rail

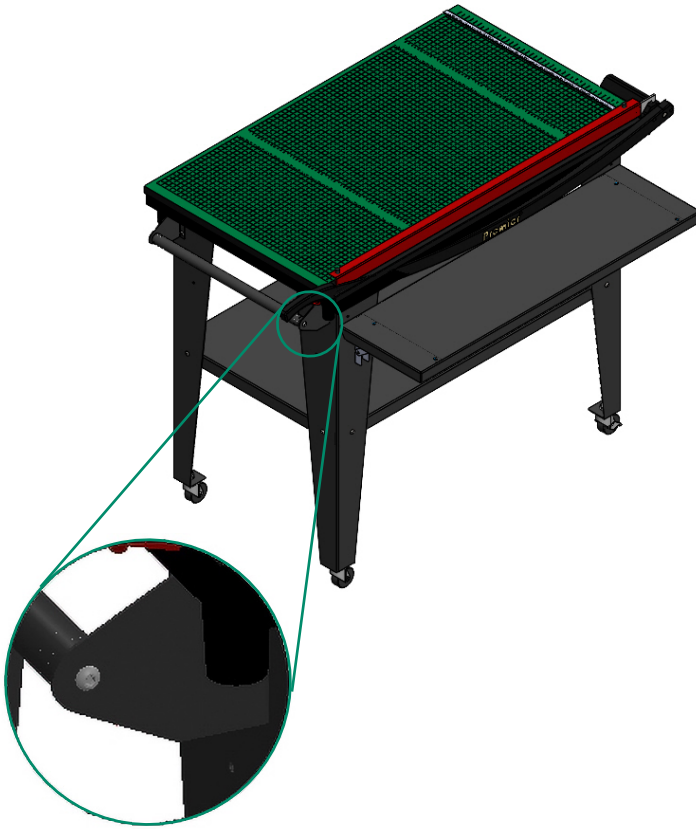
Fasten support rail to both legs using (4) #10 x 3/8 LG screws and (4) lock nuts. Affix the support rail to the cutting board with (2) #8 x 1" long wood screws, again pre-drilling pilot holes if necessary.



4. Installing Casters

Using the (4) 5/16 lock washers and nuts, affix the two swivel casters to one end of the table and the two locking casters to the other.

Again using the #10 x 3/8 LG truss head screws and lock nuts, affix the folding shelf brackets to the operator side of the cutting table.



5. Attaching the Shelf

Position the shelf onto the folding hinges and secure it in place with (4) #10 lock nuts onto the under side.

Loosely attach the grip to the mounting brackets with 1/4-20 button head screw. Attache bracket to cart with #10 screws and lock nuts. Tighten the 1/4-20 button head screws to prevent the grip from turning.

Your trimmer table is now ready for use.





By Martin Yale Industries

251 Wedcor Ave. Wabash, IN 46992
my-officeproducts.com | martinyale.com
info@martinyale.com | 800-225-5644

*For Product Registration and Warranty information visit
martinyale.com/register*