

***MBM Luft AP80 Pro
Air Purifier with WiFi/App
- AP0080***

Instruction Manual



Provided by

MyBinding.com
When Image Matters.

Call Us at 1-800-944-4573

IDEAL LUFT

KRUG+PRIESTER

Luftreiniger
Air Purifier
Purificateur

DE Betriebsanleitung
EN Operating Instructions
FR Mode d'emploi

IDEAL AP60 Pro
IDEAL AP80 Pro

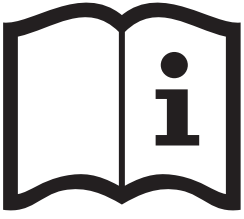


DE	Betriebsanleitung (2 - 23)
EN	Operating Instructions (24 – 45)
FR	Mode d´emploi (46 – 67)

Bestimmungsgemäßer Gebrauch	3
Sicherheitshinweise	3
Produkteigenschaften	5
Lieferumfang	5
Auspacken und Aufstellen	6
Übersicht und Benennung der Teile	8
Bedienfeld	9
Lüfterstufen	10
Timerfunktion	10
Quiet-Funktion	11
Luftqualitätsanzeige	11
Filterwechselanzeige	11
Tageslichtsensor	11
IR-Empfänger	11
Luftqualitätssensor	11
Fernbedienung (Bei der ersten Benutzung)	12
Fernbedienung (Batterie austauschen)	13
Fernbedienung (Funktion)	14
Filterwechsel	15
APP-Steuerung	16
Reinigung und Pflege	16
Mögliche Störungen	17
Technische Daten	20

EN Operating Instructions (24 – 45)

<u>Intended use</u>	25
<u>Safety instructions</u>	25
<u>Product features</u>	27
<u>Included in the box</u>	27
<u>Unpacking and setting up</u>	28
<u>Overview and description of parts</u>	30
<u>Control panel</u>	31
<u>Fan speeds</u>	32
<u>Timer function</u>	32
<u>Quiet function</u>	33
<u>Air quality indicator</u>	33
<u>Filter replacement indicator</u>	33
<u>Daylight sensor</u>	33
<u>IR receiver</u>	33
<u>Air quality sensor</u>	33
<u>Remote control (when using for the first time)</u>	34
<u>Remote control (replacing the battery)</u>	35
<u>Remote control (function)</u>	36
<u>Changing the filter</u>	37
<u>App Control</u>	38
<u>Cleaning and maintenance</u>	38
<u>Troubleshooting</u>	39
<u>Technical data</u>	42



Introduction

Thank you for choosing a device from IDEAL.

Intended use

- The device is used exclusively for cleaning the ambient air indoors.
- Please read these operating instructions before starting to use the device and please follow the safety instructions.
The operating instructions must be kept available with the device at all times.



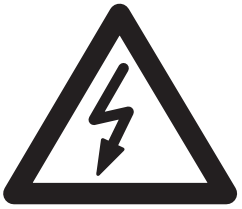
Safety instructions

- Keep packing material, such as plastic wrapping, away from children! (Risk of suffocation)
- Please follow the safety instructions to prevent fire or electric shock. Only use the device indoors.
- Only use a wall socket that supplies the correct voltage (see rating plate).
- Do not modify or repair the device.
- Do not use the device if the power cable or mains plug is damaged or if the connection at the wall socket is not stable.
- Make sure that the power cable does not get crushed while you are using the device and that it cannot be damaged in any other way. Place the cable so that no one will trip over it. Do not place the power cable under strain.
- Disconnect the plug from the wall socket for cleaning purposes and whenever the device is not in use for a significant period of time.
- Do not touch the plug or the device if you have wet hands.
- Do not spray any insect repellent.
- Do not use in rooms where the device may come into contact with fuel vapour or metal dust.
- Do not use any volatile liquids, petroleum, kerosene, paint thinner or polishing paste to clean the device. Such liquids may damage the surface of the device.
- Do not expose the device to rain, water, moisture or high humidity, and do not set it up in a bathroom or kitchen next to a sink.
- Make sure that no foreign objects get into the outlet grilles.
- Do not use near an open fire or sparks.
- The device is not suitable for removing harmful gases (carbon monoxide, e.g. from heating appliances).



Safety instructions

- Do not block the air intake and outlet.
- Keep the device away from sources of heat such as direct sunlight or radiators, etc.
- Make sure that no water vapour comes into contact with the device.
- Do not use in rooms where the device may come into contact with oil vapour.
- Do not use the air purifier without a filter.
- Only use the air purifier in living spaces and within the specified technical parameters. Improper usage may pose a threat to life and health.
- Children may not recognise hazards associated with electrical equipment. You should therefore always supervise children near and around the air purifier.
- Anyone who is not familiar with the operating instructions, any children and anyone under the influence of medication, alcohol or drugs must not use the device or may only use it under supervision.



Caution

Risk of injury due to electric shock.

Always disconnect the mains plug prior to:

- Carrying out maintenance work or cleaning
- Moving the device
- Changing the filter



Danger

- Do not use any spray cans with flammable content near to the Air Purifier!



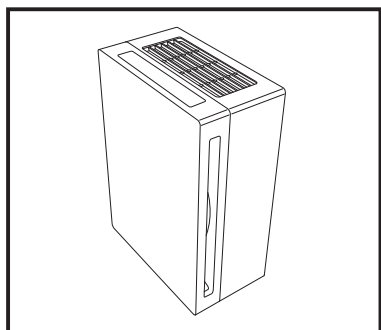
Danger

- Do not use any flammable cleaning agents.

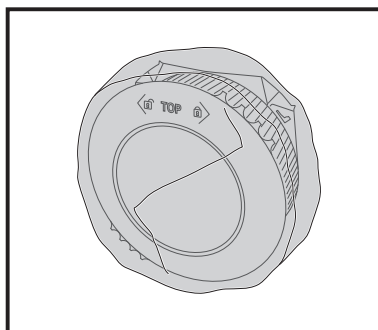
Product features

- **Filter replacement indicator:**
An illuminated red replacement indicator on the air purifier indicates that the filter cartridge needs to be replaced.
 - **Air purification in 5 speed settings**
 - **3-stage air purification system:**
Pre-filter, HEPA filter coated with activated carbon
 - **360° filter (Pre-filter, HEPA + active carbon)**
Easy maintenance and replacement of the filter cartridge.
-

Included in the box

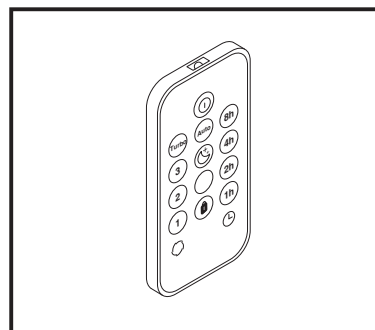


Air Purifier
(including filter cartridge)



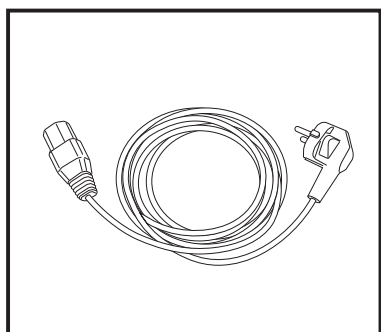
Filter cartridge

- Pre-filter
- HEPA filter coated with activated carbon



Remote control

- With self-adhesive magnetic film
- With 3V lithium battery



Power cable

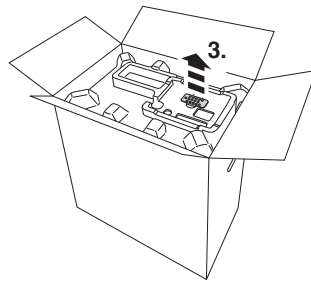
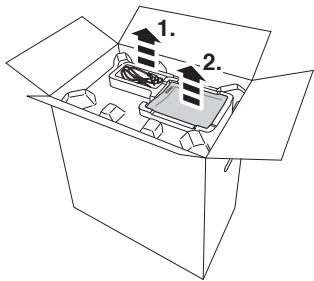
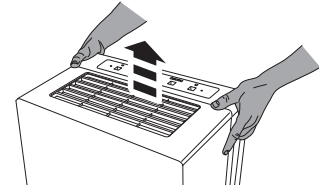


Printed operating instructions

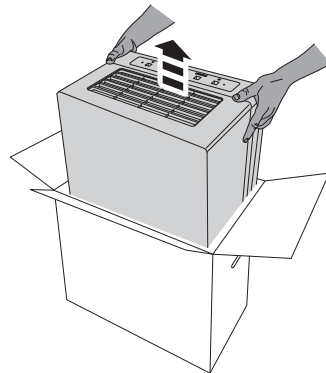
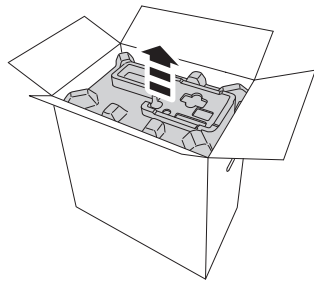
Unpacking and setting up

Installation guidelines for optimum performance:

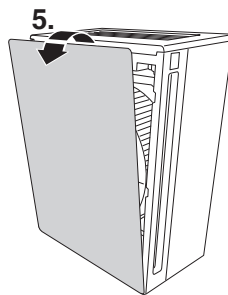
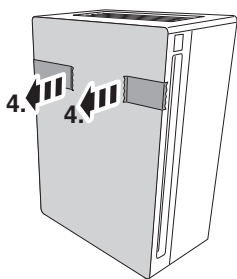
- The air intake ducts on the top can be used as handles (see adjacent diagram).
- Place the device at least 10 cm away from the wall.
- Keep the device away from areas subjected to draft (wind).
- Make sure that furniture, fabrics or other objects do not come in contact with the air intake/outlet or block them.
- Place the device on a stable, even surface and make sure there is sufficient air circulation.



Take out the power cable (1.), operating instructions (2.) and remote control (3. with self-adhesive magnetic film).

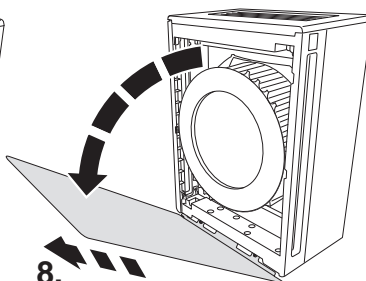
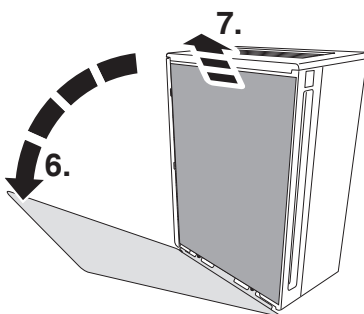


Remove top packaging tray. Grasp the Air Purifier by the air intake ducts and lift it out of the box.



Please remove and dispose the self-adhesive tape (4. Transport safety).

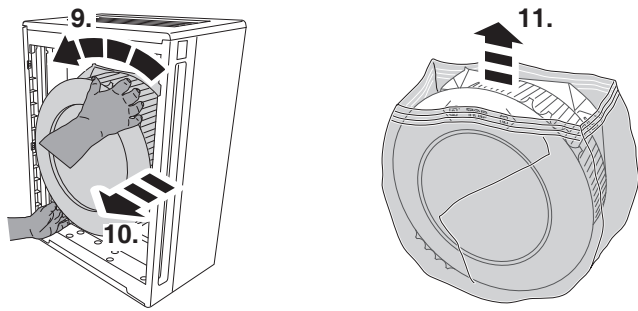
The front panel is hooked from below at two ends and is kept closed by totally 4 magnets. Open the front panel at the top, grip it firmly (5.) and then swing it downwards (6.).



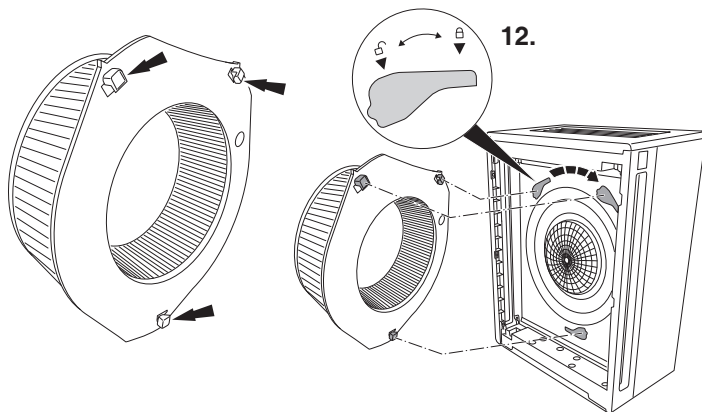
Remove the single piece of cardboard (7. Transport safety).

Remove the front panel (8.).

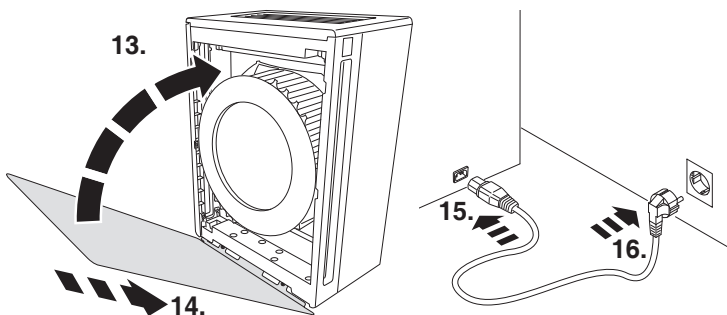
Unpacking and setting up



Hold the filter cartridge with both hands using the recessed grips provided and turn it anti-clockwise (9.). Take out the filter cartridge (10.) and remove the protective film (11.).



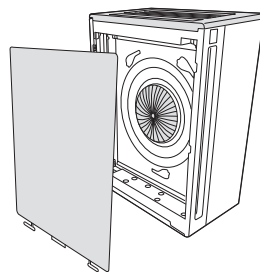
Insert the filter cartridge with the three tabs in the notches provided and lock in position by turning clockwise (12.).



Hook in the front panel at the bottom first (13.), then pivot upwards and press shut (14.). Connect the power cable to the device first (15.), then to the socket (16.).

Note:

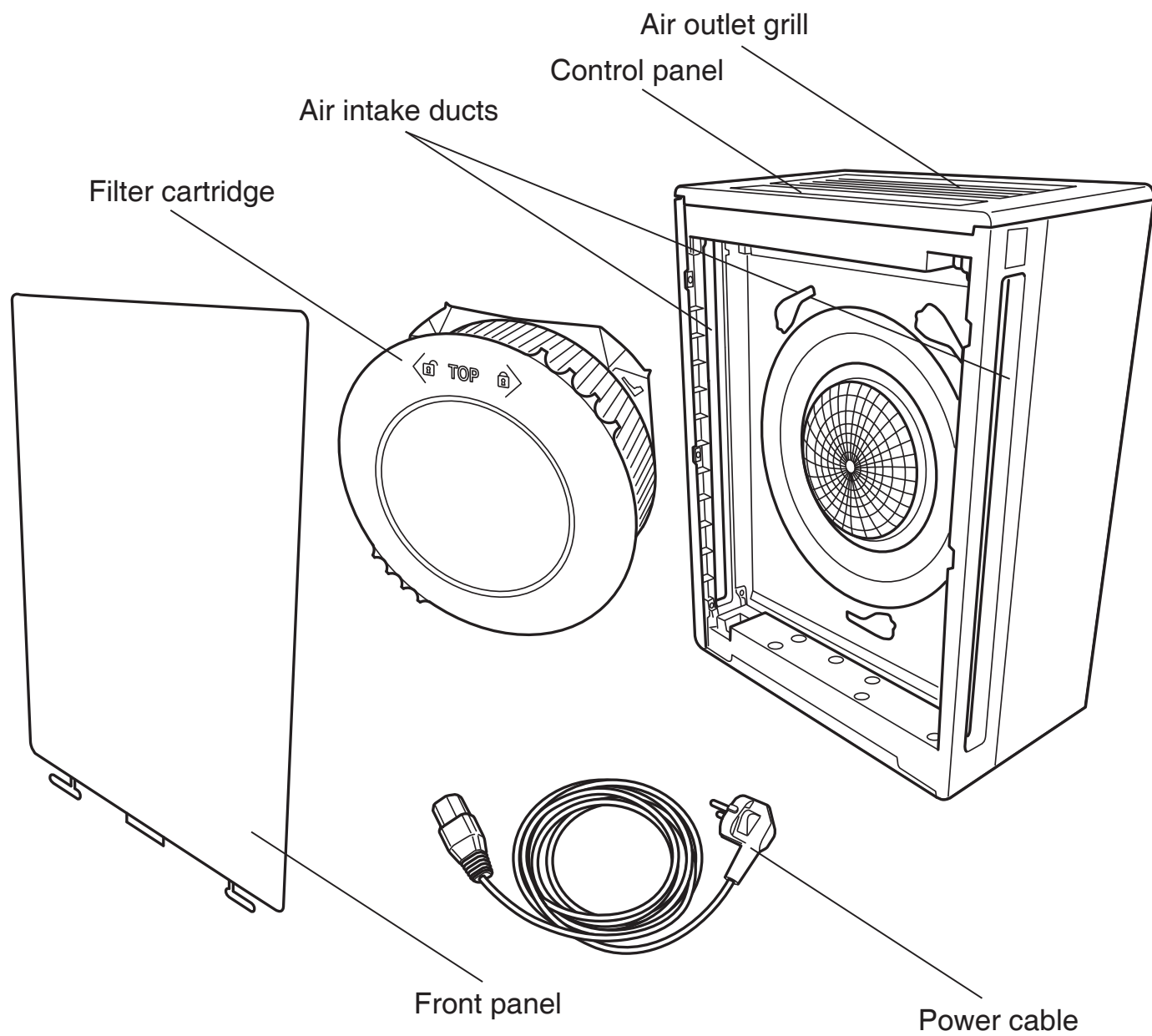
Use the original packaging to store the air purifier if you are not using it all year round. Pack and store the filter cartridge airtight to protect the activated carbon.



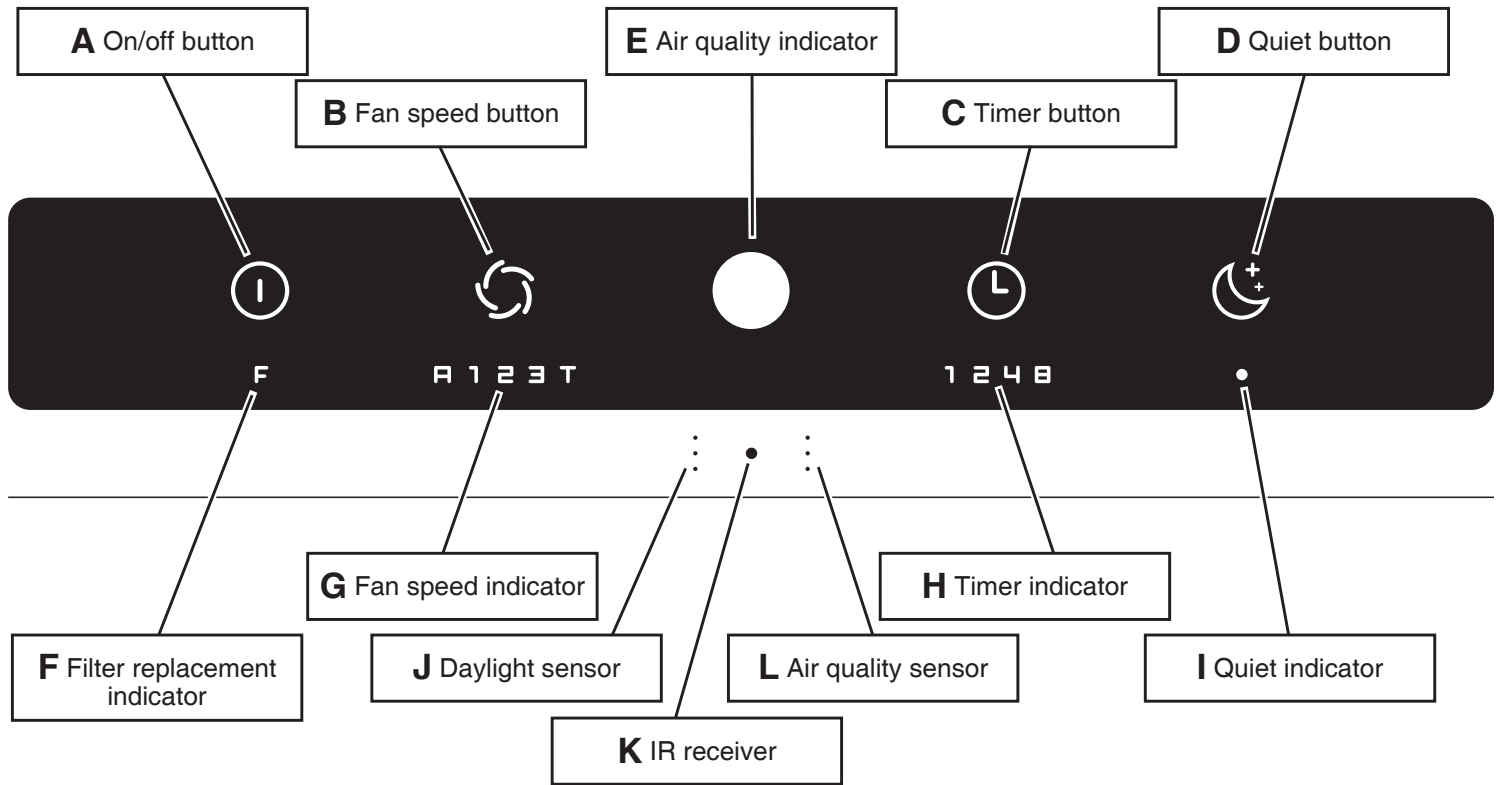
⚠ Safety information

No operation of the air purifier without the complete and secure attachment of the cladding and safety covers (motor safety grill, air outlet grill, front panel etc.).

Overview and description of parts

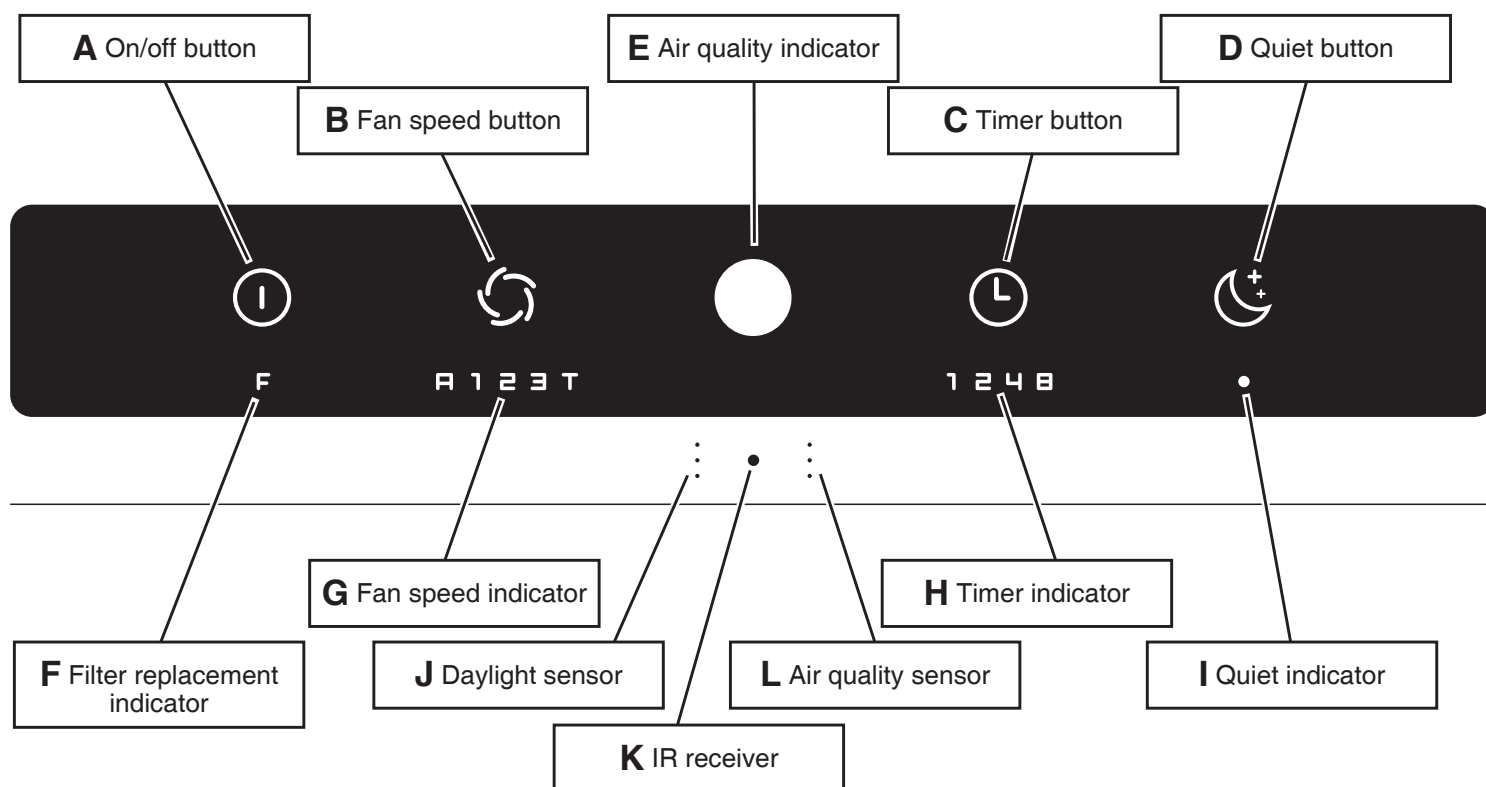


Control panel



Note:
The air quality sensor (L) is recalibrated the first time you switch it on (A) and after being disconnected from the mains power supply. During calibration, the fan speed indicator (G) and the air quality indicator (E) flash green alternately. After a few minutes, the air purifier switches to automatic mode . Once the air quality sensor has been calibrated, the air purifier always starts in automatic mode. If the filter cartridge is missing or wrong (no original IDEAL filter cartridge), the filter replacement (F) and air quality indicators (E) flash red alternately. The air purifier can only be operated with an original IDEAL filter cartridge inserted.

Control panel



Fan speeds

- Press the on/off button (A) to switch the air purifier on or off.
- The air purifier runs in automatic mode **A**. In automatic mode, the fan speed (G) automatically adapts to the measured air quality. The worse the air quality, the higher the fan speed.
- Press the fan speed button (B) to exit automatic mode. The air purifier now runs at fan speed **1**. Press again to increase the fan speed to **2**. Press again to increase the fan speed to **4**, or to the turbofan speed **T**.
- The turbo speed setting for fast purification of the ambient air requires the air purifier to run at maximum capacity. This can only be selected manually.

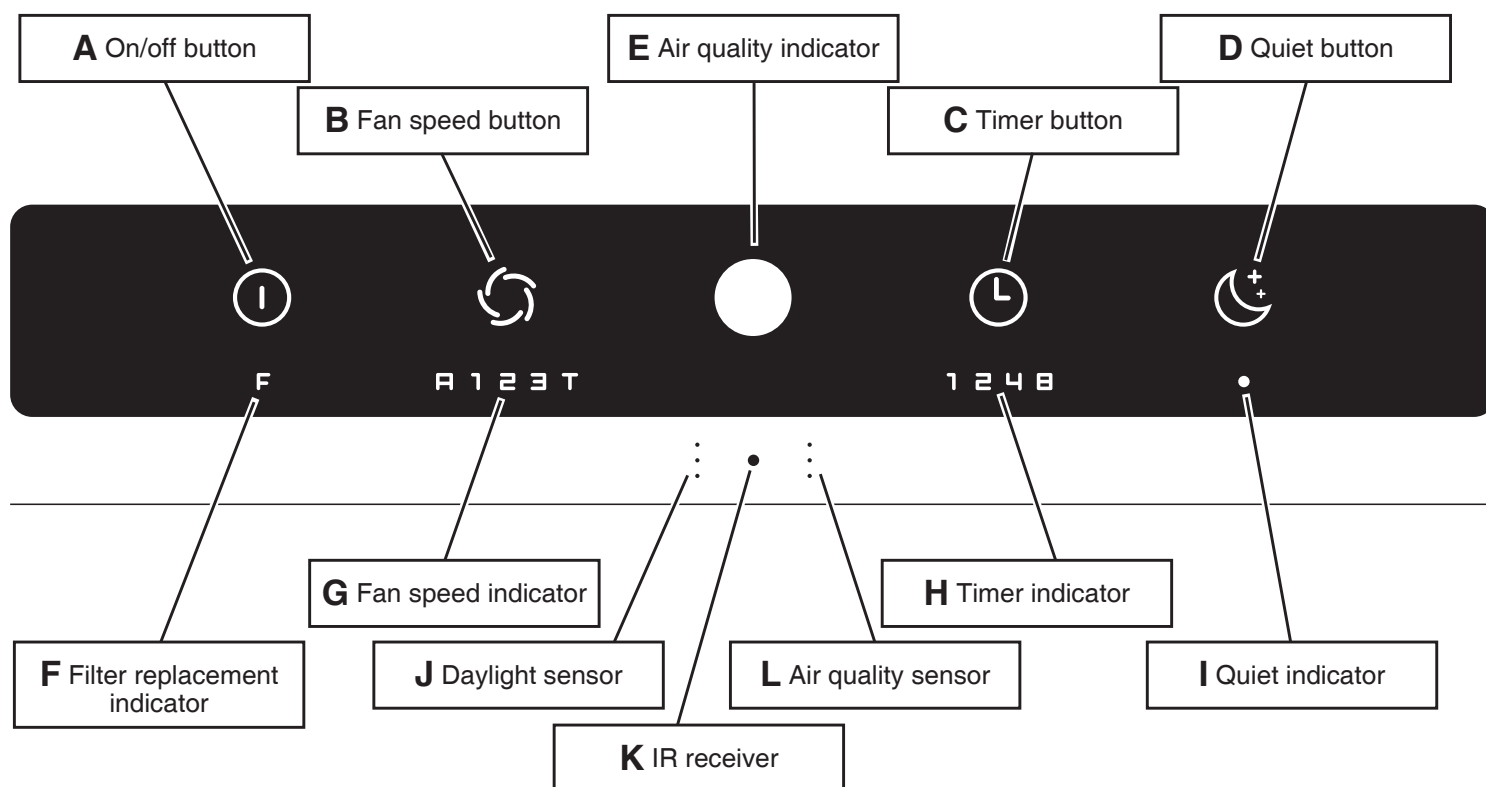
Timer functions

Pressing the timer while the air purifier is switched on activates the “switch-off timer” → after the set time, the air purifier switches off:

- Switch the air purifier on (on/off button A).
- Press the timer button (C) to activate the timer. Press repeatedly to increase the timer time: **1** (h) → **2** → **4** → **8**. Each number lights up in turn. Press the timer button again (no number lights up) to disable the timer function.
- The timer indicator counts the respective time with (→ Countdown). The remaining time is displayed.

Pressing the timer button while the air purifier is switched off activates the “switch-on timer” → after the set time, the air purifier switches on.

Control panel



Quiet function

The Quiet button (**D**) is provided for particularly low-noise, unobtrusive operation (e.g. bedrooms). Press the Quiet button (**D**) to switch the fan speed (**G**) to its lowest capacity and switch off all indicators. Only the Quiet indicator (**I**) is dimly lit.

Air quality indicator (E)

The air quality is displayed in 3 colours:

Green: good air quality

Yellow: average air quality

Red: poor air quality

Filter replacement indicator (F)

An illuminated red " **F** " on the control panel indicates that the filter needs replacing.

- The life expectancy of the filter is approx. 1 year (depending on operation and purification activities).
- If odours are no longer being filtered out, or if the filter produces unpleasant odours, then the filter cartridge needs to be replaced sooner.
- Only use original IDEAL filter cartridge. The device will only function with an original IDEAL filter cartridge.

Daylight sensor (J)

The display brightness is automatically adjusted to the ambient light.

IR receiver (K)

Receives the signals from the remote control.

Air quality sensor (L)

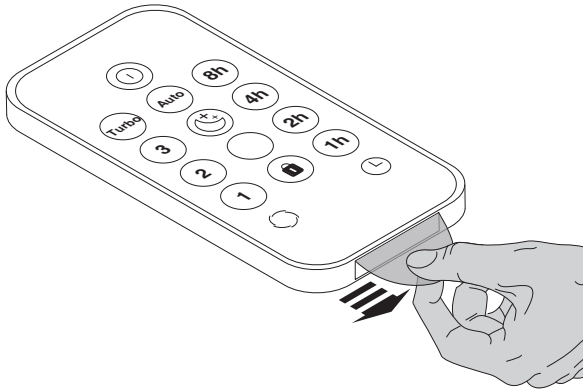
Remote control

Battery usage

- Always use 3V lithium batteries CR2025 for the remote control.
- Incorrect battery usage may result in leakage of battery fluid and/or damage.
- If the remote control is not going to be used for a long time, please remove the battery.

Unsuitable location

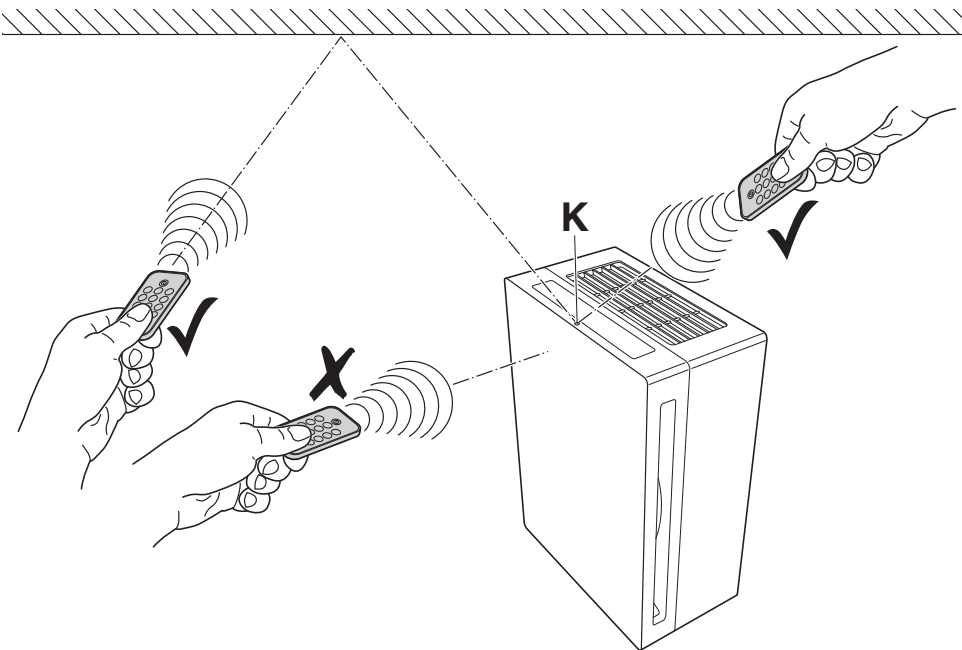
- Make sure that no objects or furnishings are situated between the remote control and the air purifier.
- The air purifier should not be placed in direct sunlight. This could impair the infrared sensor.
- Locations where fluorescent tubes are flickering because they are defective or old.
- Do not store the remote control in direct sunlight and/or close to radiators/heaters.
- **When using for the first time**

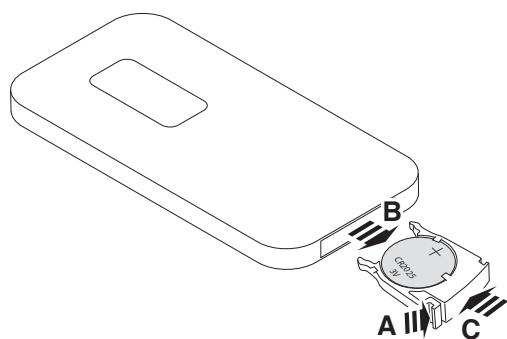


The remote control has a pre-installed lithium battery CR2025. **Remove the protective flap** to activate the remote control battery.

How to use correctly

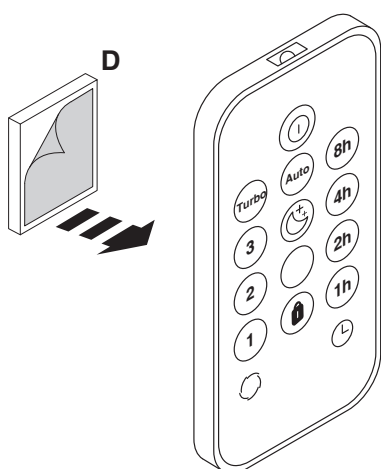
- Point the remote control at the air purifier (IR receiver **K**).





Replacing the battery

- Open the battery compartment by pressing (A) and pulling out (B) at the same time. Take out the flat battery.
- Insert a new battery into the battery compartment, making sure the polarity is correct (+ / -).
- Always use 3V lithium batteries CR2025.
- Slide the battery compartment back into its seating (C).



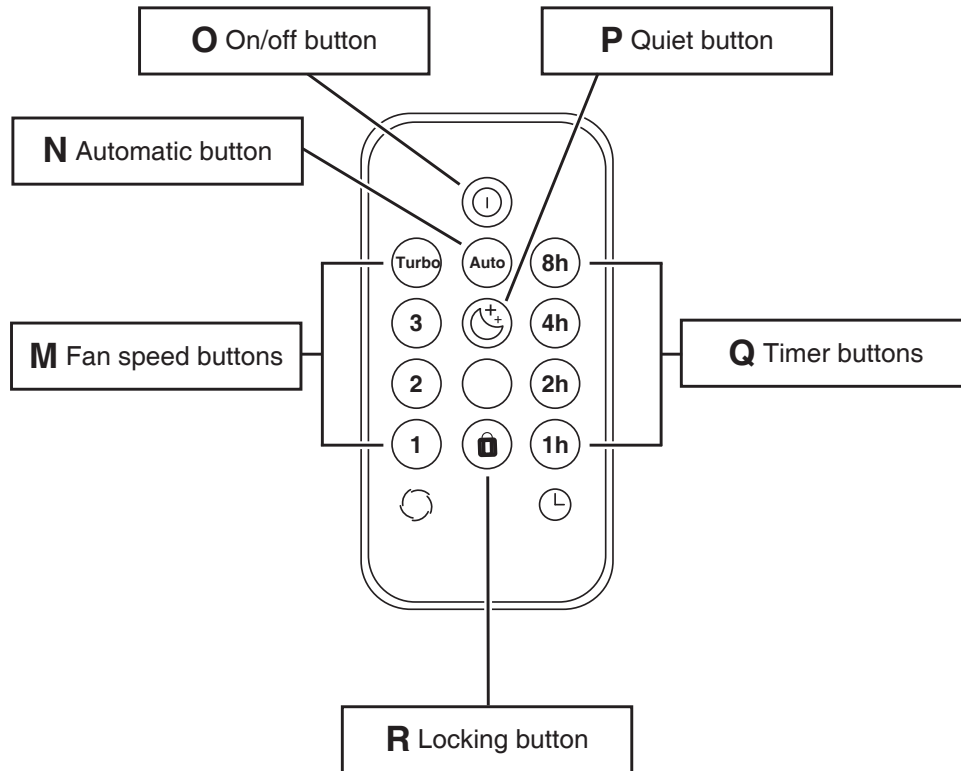
The remote control comes with a self-adhesive magnetic film (D). If required, this can be stuck on the back of the remote control. With the magnetic film stuck on it, the remote control can easily be attached to any ferromagnetic surface (e.g. on the back of the air purifier).

Important information about the batteries and how to dispose of them







Batteries must NOT be disposed of with household waste. As the user, you are legally obligated to return used batteries for proper disposal. You can hand in your batteries at public collection points in your community or wherever the same type of batteries are sold.

- It is very important that you make sure that the polarity of the batteries is correct. Wrongly inserted batteries could destroy the device – a fire hazard.
- Do not try to open or damage batteries and do not throw batteries into a fire.
- Batteries that are leaking fluid are dangerous. Only touch these with suitable gloves.
- Keep batteries out of the reach of children.
- Take the batteries out of the device if you are not going to be using it for a significant period of time.

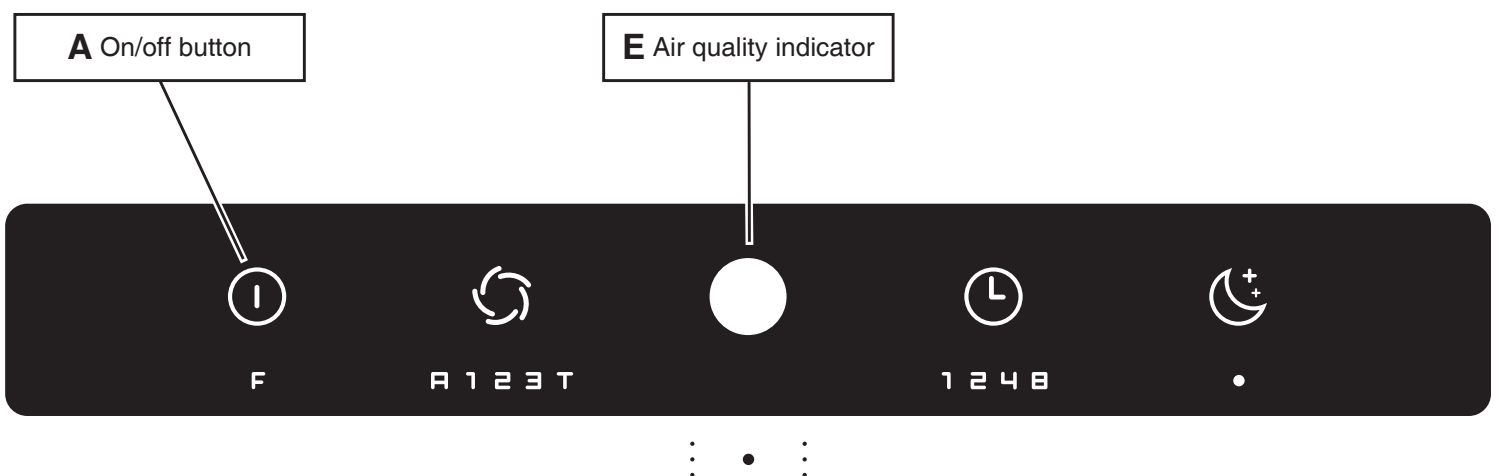
Remote control



Function

- M:** Select the required fan speed .
- N:** Switches the air purifier to automatic mode .
- O:** Switches the air purifier on/off .
- P:** Switches the air purifier to Quiet mode .
- Q:** Select the required timer time .
- R:** Press the locking button  to lock the buttons on the control panel (air purifier).
Press the locking button again to unlock.
The lock can also be removed by disconnecting the air purifier from the mains or by pressing and holding down the on/off button (**A**) on the device.

Note:
When you operate the remote control, the air quality indicator (**E**) lights up for approx. 1 second in acknowledgement. If you operate a button on the control panel (air purifier) while the locking function is activated, the air quality indicator (**E**) lights up briefly in red.





Filter replacement (e.g. in accordance with the filter replacement indicator **F**, see page 33)

Note:
Only original IDEAL filter cartridges (order from www.ideal.de) may be used. No tools are required to replace the filter cartridge.

 **CAUTION: Disconnect the mains plug!**

The front panel is hooked in at the bottom in two places, and kept shut with 4 magnets. Open the front panel from the top and hold (1.), pivot downwards (2.) and take off (3.).

Hold the spent filter cartridge with both hands using the recessed grips provided and turn it anti-clockwise  (4.). Remove the filter cartridge (5.). Remove the protective film from the new filter cartridge (6.).

Insert the new filter cartridge with the three tabs in the notches provided and lock in position by turning clockwise  (7.).

Hook in the front panel at the bottom first (8.), then pivot upwards and press shut (9.). Connect the power cable to the device first (10.), then to the socket (11.).

Note:
The air purifier automatically detects that a new IDEAL filter cartridge has been inserted and automatically resets the filter replacement indicator.

IDEAL filter cartridge Order no. 8741 100

App Control

Your purifier can additionally be controlled by the "IDEAL AIR PRO" App via your smartphone (iOS /Android).



For information, please see www.ideal-air.de

Cleaning and maintenance

 **CAUTION: Disconnect the mains plug prior to any cleaning or maintenance work!**

- Replace the filter cartridge as soon as the filter replacement indicator (**F**, page 33) lights up. The average life expectancy of the filter is approx. 1 year (depending on operation and purification activities).
- Clean the air purifier housing with a lint-free cloth moistened with soapy water.
- Clean the control panel with a dry, lint-free cloth.
- Clean the openings for the air quality sensor (**L**, page 31) with a vacuum cleaner.
- Clean the air intake ducts (page 30) and the interior of the air purifier with a vacuum cleaner.
- Clean the filter cartridge's pre-filter with a vacuum cleaner. To do this, remove the filter cartridge ("**Changing the filter**" page 37).
- Do not use any solvents. These could damage the housing surface, the control panel and the air quality sensor.
- Protect the air purifier from water.
- Do not use any substances containing silicone, since this could destroy the air quality sensor.
- Do not test the effectiveness of the air quality sensor with high quantities of gas, or alcohol, since this could destroy the air quality sensor.

Troubleshooting

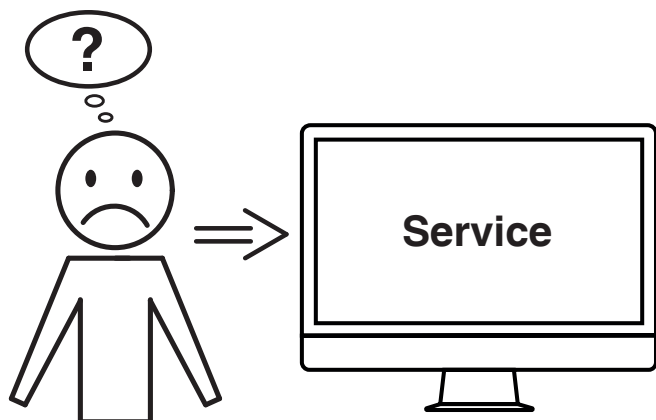
<p>The air purifier won't switch on.</p>	<p>Is the power cable securely connected to the back of the device?</p> <ul style="list-style-type: none">→ Make sure that the power cable is not damaged in any way.→ Check both ends of the power cable. Make sure that these are plugged in and that the purifier is connected to the power supply (page 29). <p>Has a filter cartridge been inserted? Is the filter cartridge inserted correctly?</p> <ul style="list-style-type: none">→ Make sure that an original IDEAL filter cartridge is inserted.→ Make sure that the filter cartridge is clicked in place with all 3 tabs and is fully locked (padlock icon, page 29).
<p>The buttons on the air purifier do not work.</p> <p>The buttons on the remote control do not work.</p>	<p>Has the locking function been activated?</p> <ul style="list-style-type: none">→ Disable the locking function on the remote control (function R, page 36).→ Unplug the power cable and then plug it back in. <p>Is the battery in the remote control? Or is it flat?</p> <ul style="list-style-type: none">→ Check the battery (3V lithium CR2025). <p>Is the IR receiver dirty?</p> <ul style="list-style-type: none">→ Clean the IR receiver with a dry, lint-free cloth. <p>Are you using it correctly?</p> <ul style="list-style-type: none">→ Point the remote control at the air purifier (page 34).→ Having joined the power cord or exchanged the filter, the function of the remote control is blocked for about 10 seconds

Troubleshooting

<p>The indicators on the control panel do not light up at all.</p>	<p>Is the air purifier switched on?</p> <p>→ Switch the air purifier on by pressing the on/off button (A, page 31).</p> <p>Has the Quiet function been activated?</p> <p>→ Disable the Quiet function by pressing the Quiet button (D, page 33).</p>
<p>Automatic mode is not working properly.</p>	<p>The air purifier calibrates the air quality sensor. This happens when you first switch it on and after disconnecting it from the mains.</p> <p>→ Wait until the calibration process (see Note, page 31) has been completed (this may take a few minutes)</p> <p>The air quality sensor is dirty.</p> <p>→ Clean the openings for the air quality sensor (L, page 31), the air intake ducts (page 30) and the interior of the air purifier (where the filter cartridge is located) with a vacuum cleaner.</p> <p>The air quality sensor is not detecting the air quality reliably</p> <p>→ Calibrate the air quality sensor by briefly disconnecting it from the mains again!</p>
<p>Odours are not being filtered properly.</p>	<p>Is the activated carbon in the filter cartridge spent?</p> <p>→ Replace the filter cartridge (page 37). If the air purifier has been continuously exposed to strong odours, it may be that the activated carbon is spent before the filter replacement indicator (F, page 33) lights up.</p> <p>Are the odours being drawn in at all?</p> <p>→ Place the air purifier closer to the source of the odours.</p> <p>→ Switch the air purifier manually to a higher fan speed (page 32).</p>

Troubleshooting

<p>The air purifier is making loud noises.</p>	<p>Is the filter cartridge really dirty?</p> <p>→ Clean the pre-filter with a vacuum cleaner.</p> <p>Is the air purifier located on an even surface?</p> <p>→ Place the device on an even surface.</p> <p>Is the air purifier running at a high fan speed?</p> <p>→ Use the fan speed button (B, page 32) to set a lower fan speed (G, page 32).</p>
<p>In bright environments, the indicators on the air purifier control panel are too dark.</p>	<p>Is the daylight sensor dirty?</p> <p>→ Clean the relevant section on the control panel (J, page 31)! The display intensity automatically adapts to its surroundings.</p>




None of the above mentioned methods helped to solve the problem:

Contact Service Team:


- www.ideal.de → "Service"
service@krug-priester.com

Technical data

IDEAL AP60 Pro:

Power supply	200-240V~50/60Hz / 100-120V~50/60Hz
Power consumption	90W (200-240V) / 75W (100-120V)
Suitable for rooms	50 to 70 m ² *
Air flow rate (max.)	600 m ³ /h
Dimensions (L × W × H)	468 × 275 × 668 mm
Weight	15 kg
Volume at turbofan speed T (max.)	56,6 dB(A)
Volume in Quiet mode  (min.)	16,5 dB(A)

IDEAL AP80 Pro:

Power supply	200-240V~50/60Hz / 100-120V~50/60Hz
Power consumption	175W (200-240V) / 180W (100-120V)
Suitable for rooms	70 to 90 m ² *
Air flow rate (max.)	750 m ³ /h
Dimensions (L × W × H)	468 × 275 × 668 mm
Weight	15 kg
Volume at turbofan speed T (max.)	63,4 dB(A)
Volume in Quiet mode  (min.)	18,7 dB(A)

Subject to technical changes.

* For a room height of 2.50 m

Terms of warranty

IDEAL provides a warranty for this device from the date of purchase.

The terms of warranty are defined by our local representative.

- If a material or design defect occurs during the warranty period, IDEAL shall repair or replace the device, or repay the purchase price, at its discretion.
- The warranty will only be honoured if sufficient evidence is submitted, e.g. sales receipt, and the claim under warranty is made within the warranty period.
- The warranty does not cover wearing parts or parts that need to be replaced regularly.
- The warranty shall be void if the device is not set up, adjusted and cleaned/maintained correctly (in accordance with the operating instructions).
- The warranty shall be void if the device is connected to a power supply that does not comply with the rating plate data.

Storage

We recommend storing the air purifier in its original packaging in a cool, dry place. Pack and store the filter cartridge airtight to protect the activated carbon.

Spare parts and accessories

You can source spare parts via your dealer or at www.ideal.de.

Only use the manufacturer's original parts.

Repairs

Repairs must only be carried out by qualified experts or the customer service department.

This also applies if you have a defective power cable. Any attempt by untrained persons to perform repairs may pose considerable risk to the user and invalidate the warranty.

Disposal

This device must not be disposed of with household waste! Please hand this device in at the collection points provided! Collecting and recycling electrical and electronic waste conserves valuable resources!

The packaging material can be recycled.

Dispose of the packaging in an environmentally friendly manner and take it to the recyclable waste collection.

Thanks!





The company Krug + Priester has the following certifications:

- Quality management system according to DIN EN ISO 9001:2015
- Environmental management system according to DIN EN ISO 14001:2009
- Energy management system according to DIN EN ISO 50001:2011



This machine is GS-tested and conforms to the following EC guidelines:

- 2014/35/EU for electrical safety
- 2014/30/EU for electromagnetic compatibility.
- 2011/65/EU RoHS.

For specific technical data, please refer to the information on the identification plate of the machine.

To file a warranty claim, the device must still bear its original identification plate.

Subject to technical changes.

EC-declaration of conformity

- Herewith we declare that

	GS-IDENT. No.	UL-IDENT. No.
IDEAL AP60 Pro Made in Germany	11874101	10874101
IDEAL AP80 Pro Made in Germany	11874102	10874102

- complies with the following provisions applying to it

2014/35/EU

Low voltage directive

2011/65/EU

RoHS directive

2014/30/EG

EMV Electromagnetic compatibility directive

- Applied harmonised standards in particular

**IEC 61000-3-2; IEC 61000-3-3; EN 61000-3-2; EN 61000-3-3;
EN 60335-2-65; EN 60335-1;
EN ISO 13857; EN 55014-1; EN 55014-2**

01.06.2017
Datum

Authorized representative for technical documentation:

Krug & Priester GmbH & Co KG
Simon-Schweitzer-Str. 34
D-72336 Balingen (Germany)

- Geschäftsführer -

Immer frische Luft.
Für Gesundheit, Vitalität
und mehr Lebensqualität.
Spürbar. Bei jedem Atemzug.

For fresh air.
For more health, vitality and
quality of life. Perceptible.
With every breath you take.

De l'air toujours frais.
Pour une meilleure santé,
vitalité et qualité de vie.
Perceptible. À chaque
inspiration.