



Manual Smart Crease

Model CR818



Owner/Operator Manual

Specifications

Sheet Size Minimum (L x W)	2.00" x 0.25" (8.0cm x 0.5cm)
Sheet Size Maximum (L x W)	28.00" x 18.20" (71.0cm x 46.2cm)
Maximum Paper Weight	16 pt / 0.016" Caliper/ 130# Cover / 341 gsm
Crease Width	0.075" (1.9mm)
Crease Depth	0.015" (0.4mm)
Dimensions (L x W x H)	24" x 20.6" x 5.2" (61cm x 52.3cm x 13.2cm)
Shipping Weight	30 lbs

Serial No. _____

1.0 Introduction

Thank you for selecting the Martin Yale Manual Smart Crease. We recommend that you familiarize yourself with the creaser by carefully reading these instructions. A thorough understanding of the information contained within these instructions will help to eliminate most operator associated errors and ensure years of trouble-free performance.

2.0 Setup

- 2.1 Prepare a flat, level and sturdy surface on which to set the creaser.
- 2.2 Carefully remove the creaser from the packaging and set on work surface.
- 2.3 All six (6) rubber foot pads should be in contact with the work surface.
- 2.4 Inspect creaser for shipping damage or missing components.
- 2.5 Remove the two (2) Paper Stops from the packaging and install as shown. (Figure 1)

Congratulations! Your brand new Martin Yale Manual Smart Crease is now ready for use!



FIG 1: Install Paper Stops, Handle Upright



FIG 2: Position Stops, Tighten Thumbscrews

3.0 Operation

- 3.1 Slide each Paper Stop into position, then hand-tighten thumb screws as shown. (Figure 2) See the chart below as a guide for some common paper/card sizes and fold types.

Paper Size	Fold Type	Back Paper Stop	Front Paper Stop
8½" x 11"	Card	5 ½"	Not Used
	Letter/Z	7 5/16"	7 5/16"
11" x 17"	Card	8 ½"	Not Used
	Letter/Z	5 5/8"	Rotate Paper
Card Size	Fold Type	Back Paper Stop	Front Paper Stop
A2 (4¼" x 5½")	Card	4¼"	Not Used
	Gate	2 1/8"	2 1/8"
A6 (4½" x 6¼")	Card	4½"	Not Used
	Gate	2¼"	2¼"
A7 (5" x 7")	Card	5"	Not Used
	Gate	2½"	2½"

NOTE: Always test setup on scrap paper to ensure proper settings; adjust as necessary.

- 3.2 Lift creaser handle to upright position (Figure 1). Paper cannot be inserted with handle down.
- 3.3 With inside face DOWN, Slide paper into creaser along the paper guide until it contacts Back Paper Stop. (Figure 3)



FIG 3: Paper Against Stop, Handle Upright



FIG 4: Handle Down, Paper Creased

- 3.4 While holding paper in place pull handle down. (Figure 4)
- 3.5 When handle contacts the cover, lift handle back to upright position (Figure 3).
- 3.6 For single crease operation: remove paper and fold crease as shown. (Figures 5 and 6)
- 3.7 To perform a second crease operation:
 - 3.7.1 Slide paper to Front Paper Stop (flip inside face up for Z fold); repeat steps 3.4-3.5.
 - 3.7.2 For larger paper where 2 stops are not used, rotate paper 180°, slide paper to Back Paper Stop (flip inside face up for Z fold) and repeat steps 3.4-3.5.
 - 3.7.3 Remove paper and fold all creases as shown. (Figures 5 and 6)
- 3.8 Check edges for alignment and square. Make any fine adjustments as necessary.



FIG 5: Note Orientation of Crease

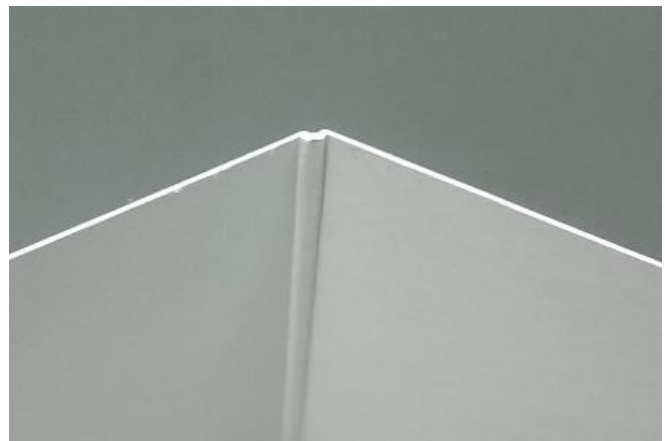
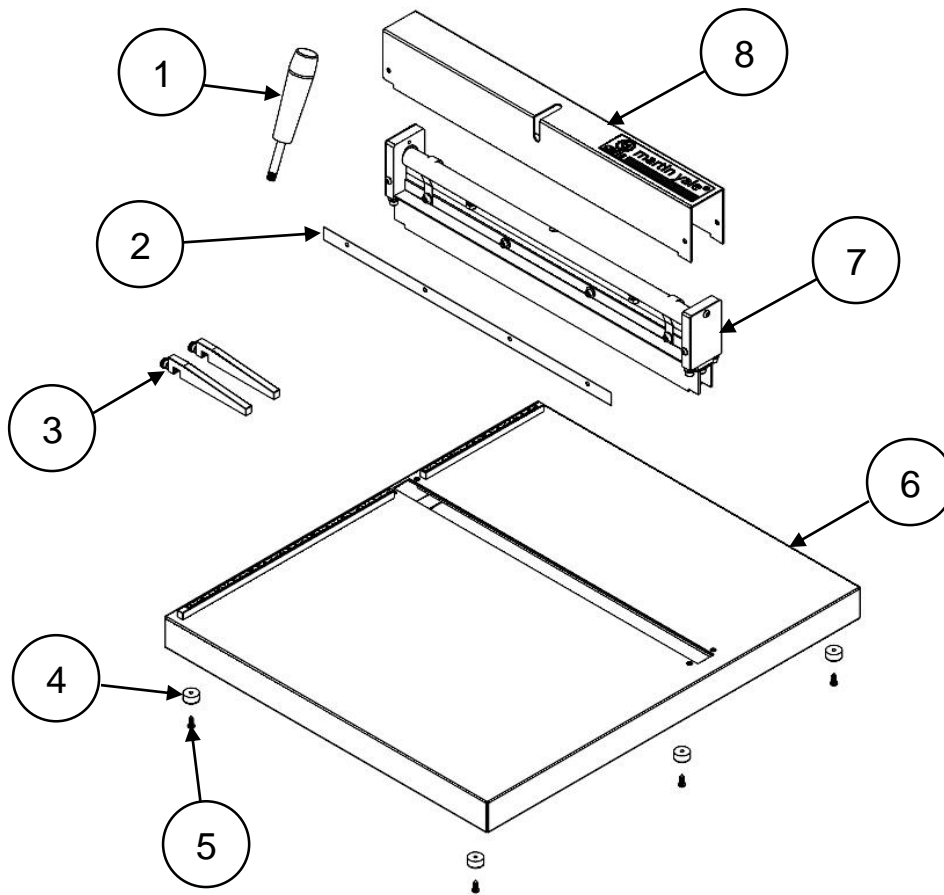


FIG 6: Fold Panels Downward as Shown

4.0 Maintenance

Clean unit when needed with slightly damp rag. Use water or window cleaner for best results.

5.0 Parts Diagram



ITEM	PART NO.	DESCRIPTION	QTY
1	WRA818015	REPLACEMENT HANDLE ASSEMBLY	1
2	WRA818009	REPLACEMENT BLADE	1
3	WRA818033	REPLACEMENT PAPER STOP ASSEMBLY	2
4	M-S030045	755 RW BUMPER	6
5	M-S001169	#8 X ½ PHILLIPS PAN HEAD SCREW	6
6	WRA818005	REPLACEMENT BASE ASSEMBLY	1
7	WRA818013	REPLACEMENT CREASING ASSEMBLY (WITH COVER)	1
8	WRA818031	REPLACEMENT COVER	1



251 Wedcor Drive • Wabash, IN 46992
 Phone (260) 563-0641 • Fax # (260) 563-4575

Website: www.martinyale.com • Email: info@martinyale.com