

# BC-12

## MULTI CARD CUTTER

### Operation Manual



- \* Be sure to read this manual to operate the machine safely and properly.
- \* Keep the manual in handy place for further reference.
- \* Be sure to include this manual with the machine when transferring or leasing it to another person.
- \* The manual is supposed to be changed or renewed without prior notice.

# **BC-12**

**MULTI CARD CUTTER**

**Operation Manual**

V.2.0

September 2011

# BC-12 Operation Manual

## Contents

Introduction .....	2
Explanation of Symbols .....	2
Safety Instructions .....	3-5
Main Specifications .....	6
Accessories .....	6
1. Installation Precautions .....	7-8
2. Part Names .....	9-10
3. Composition and Imposition .....	11-16
4. Preparations for Operation .....	17-18
5. How to Use .....	19-30
6. Handling of the Trash Box .....	31
7. Power Off .....	31
8. Maintenance .....	32-33
9. Option .....	34
10. Troubleshooting Q&A .....	35-36

## Introduction

Thank you for purchasing BC-12.

BC-12 is an automatic cutter that accurately cuts letter-size and legal-size paper to produce various sizes of individual cards such as business cards imposed and printed in advance.










This operation manual describes how to obtain the best performance from the machine and to use it safely without troubles.

Be sure to read this manual before installation and operation, then keep the manual carefully in a handy place for further reference.

When transferring or leasing this machine to another person, be sure to include this manual with it.

## Explanation of Symbols

The following safety symbols are used in this operation manual and on the labels attached to the machine body. Understand each symbol and its associated instruction.

	<b>WARNING</b>	Misuse of the machine could cause major injury or death to the operator.			
	<b>CAUTION</b>	Misuse of the machine could cause injury to the operator or damage to property.			
	Prohibited		Do not disassemble		Do not touch with wet hands
	Do not expose to wet conditions		Unplug		Must be grounded
	General instruction				

## Safety Instructions



### WARNING



Connect the power plug into an outlet rated at 120V.  
It is prohibited to connect it to an outlet with many other plugs connected or to an auxiliary power outlet. Doing so may generate heat and cause fire or an electric shock.



It is prohibited to use power other than the designated one (AC120V).  
Doing so could cause fire or an electric shock.



It is prohibited to connect or disconnect the power plug with wet hands.  
Doing so could cause an electric shock.



Handle the power plug carefully.  
1. Do not connect the power plug if foreign matter such as dust is attached.  
2. Make sure the plug is properly inserted into the outlet.



It is prohibited to use power cords other than the one provided with the machine.



Do not use the provided power cord for other purposes.



Do not damage the power cord. Doing so could cause fire or an electric shock.  
Do not put heavy objects on it, pull it, bend it forcibly, or modify it.



Do not operate the machine without grounding. Doing so could cause fire or an electric shock. Be sure to ground the machine. If the outlet is not triplex (three-pins), be sure to ground it securely using the ground adapter.



Never disassemble the cutter unit.



Never disassemble the slitter cartridge.



Before removing jammed paper, first turn off the power switch.



To remove a sheet of paper caught in the cutter unit, first release the error, press the Start Key to disengage the cutter, turn off the power switch, then remove the sheet.



If you notice a strange sound or smell, turn off the power switch immediately, disconnect the power plug, then call your dealer for repair.  
Otherwise, fire or an electric shock could result.



Do not remove the transparent cover of the trash box. This transparent cover is part of the cover of the slitter unit.



Do not wet the machine with water.  
Doing so could cause fire or an electric shock.



## CAUTION



When lifting the machine body, securely hold the bottom plate with both of your hands. If you grab part of the plastic cover, it may damage the cover and the machine could fall and cause an injury.



Do not rub your hands on the edges of cut paper.  
Doing so could injure your hands.



Do not use the machine in dusty or damp conditions.  
Doing so could cause fire or an electric shock.



Do not place the machine on an unstable place.  
It may fall down, resulting in an injury.



Remove the power plug from the outlet when the machine will not be used for a long time.



When disconnecting the power plug, hold the plug and pull it out. Do not pull on the cord.



Regularly disconnect the power plug from the outlet and clean the area around the pins. If the plug is kept connected for a long time, the area around the pins may become dusty, which could cause a short-circuit and result in fire.



When moving the machine, first turn off the power switch and disconnect the power plug from the outlet.



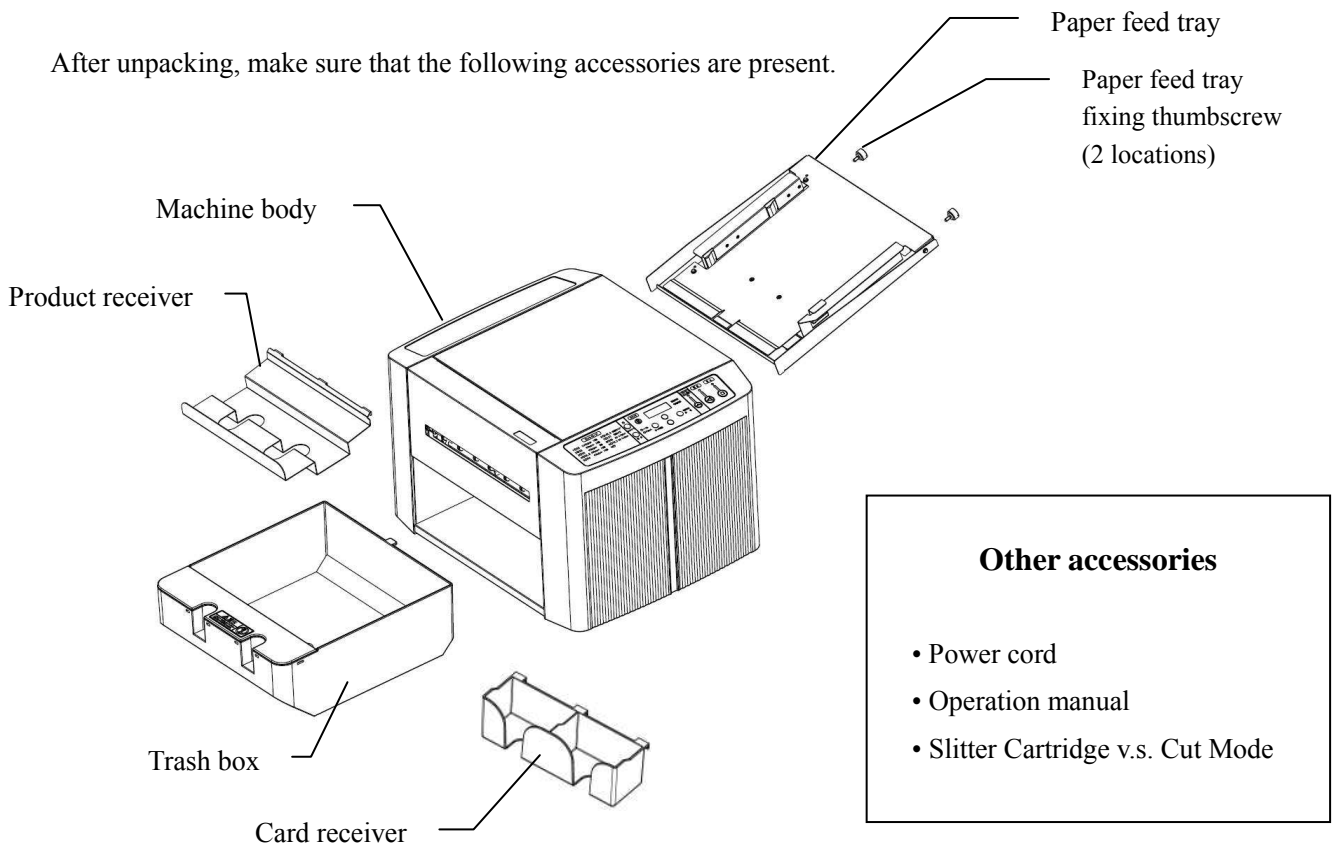
When installing or removing an optional device, carefully follow the instructions in the relevant operation manual.

## Main Specifications

Supported paper size	letter-size 11"×8.5" (279.4×215.9mm, within ±0.5mm from each side) legal-size 14"×8.5" (355.6×215.9mm, within ±0.5mm from each side)
Paper thickness	0.13–0.30mm
Paper weight	110–302g/m <sup>2</sup>
Paper feed tray capacity	50 sheets (for 0.2mm-thick paper)
Finished size	For the dimensions of paper that can be cut into, see pages 14, 15 and 16.
Card receiving capacity	500 sheets for business cards (for 0.2mm-thick paper)
Product receiving capacity	120 sheets for business cards (for 0.2mm-thick paper) (50–100 sheets for other types of card) (It varies depending on the dimensions and type of paper to be cut)
Cutting speed	1 min. 18 sec. for 100 business cards (based on 10-up and single cutting)
Dimensions	750mm (W) × 435mm (D) × 290mm (H)
Net weight	24kg
Power requirements	AC120V, 60Hz
Power input	0.7A max.

## Accessories

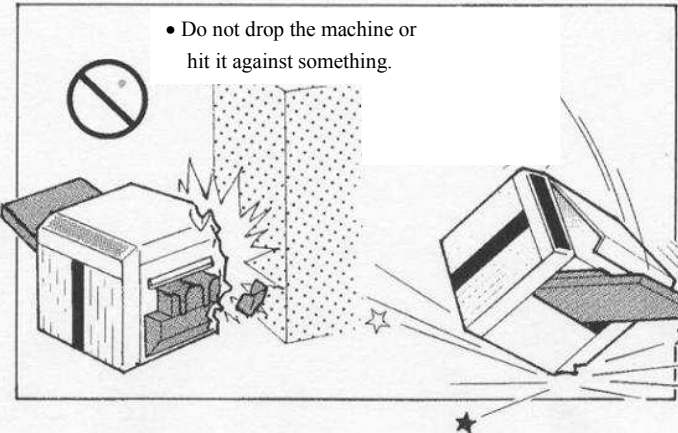
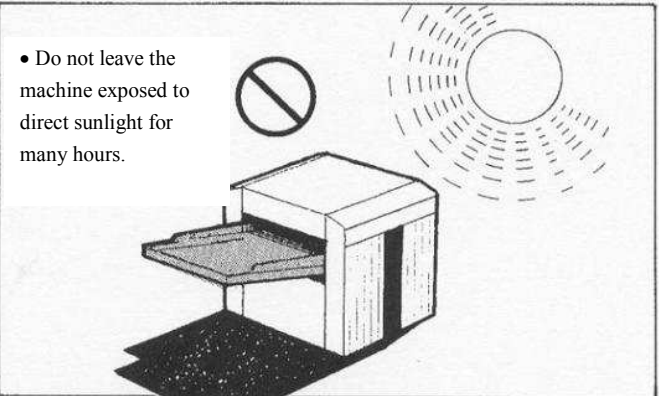
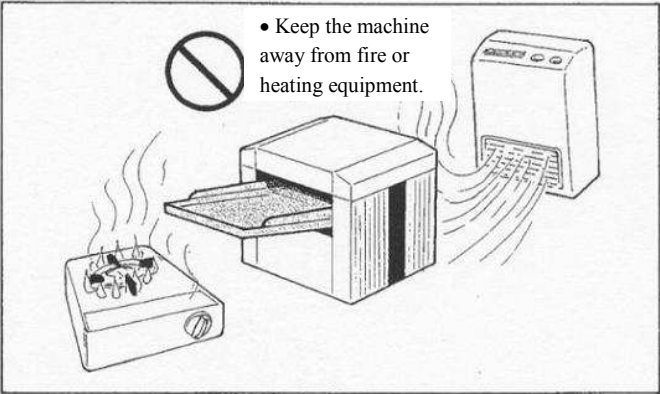
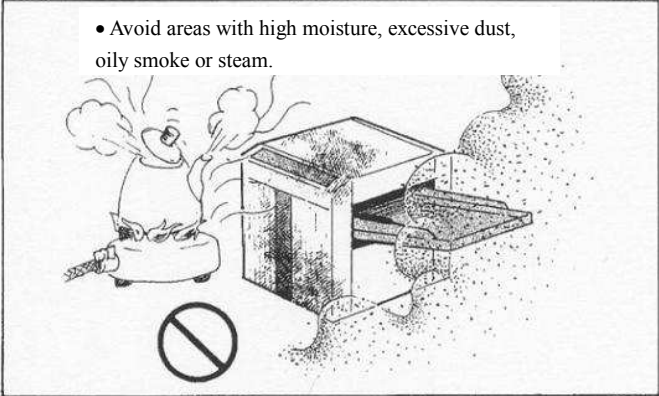
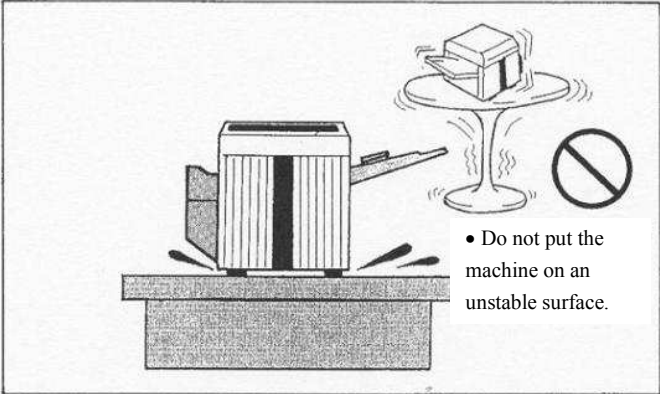
After unpacking, make sure that the following accessories are present.

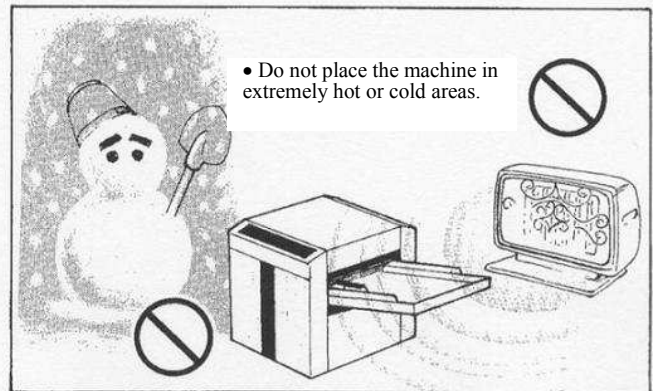
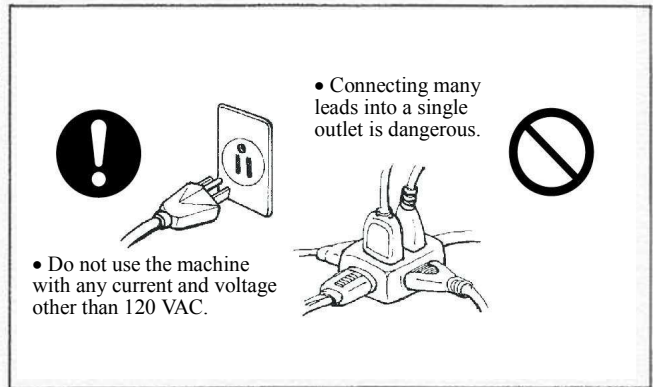
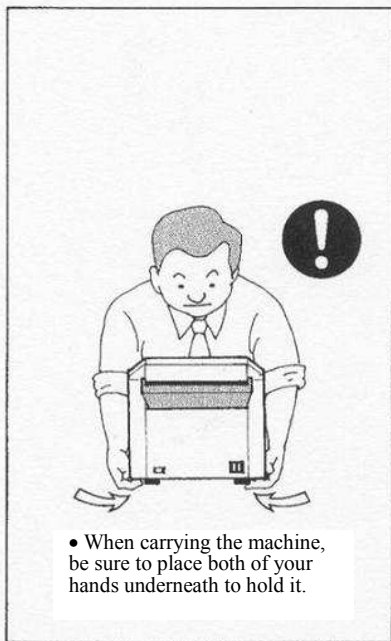
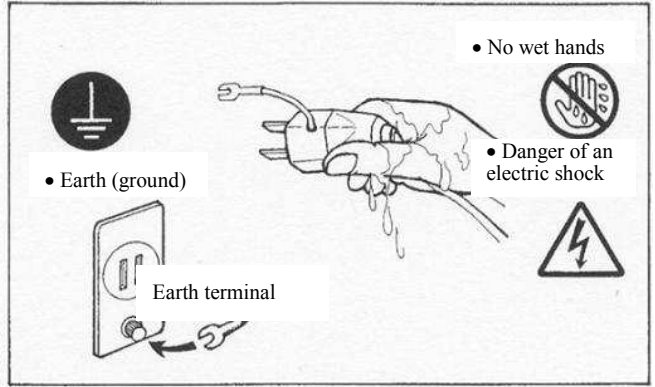
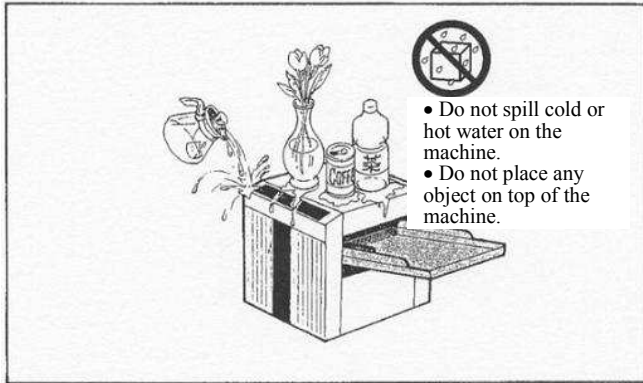




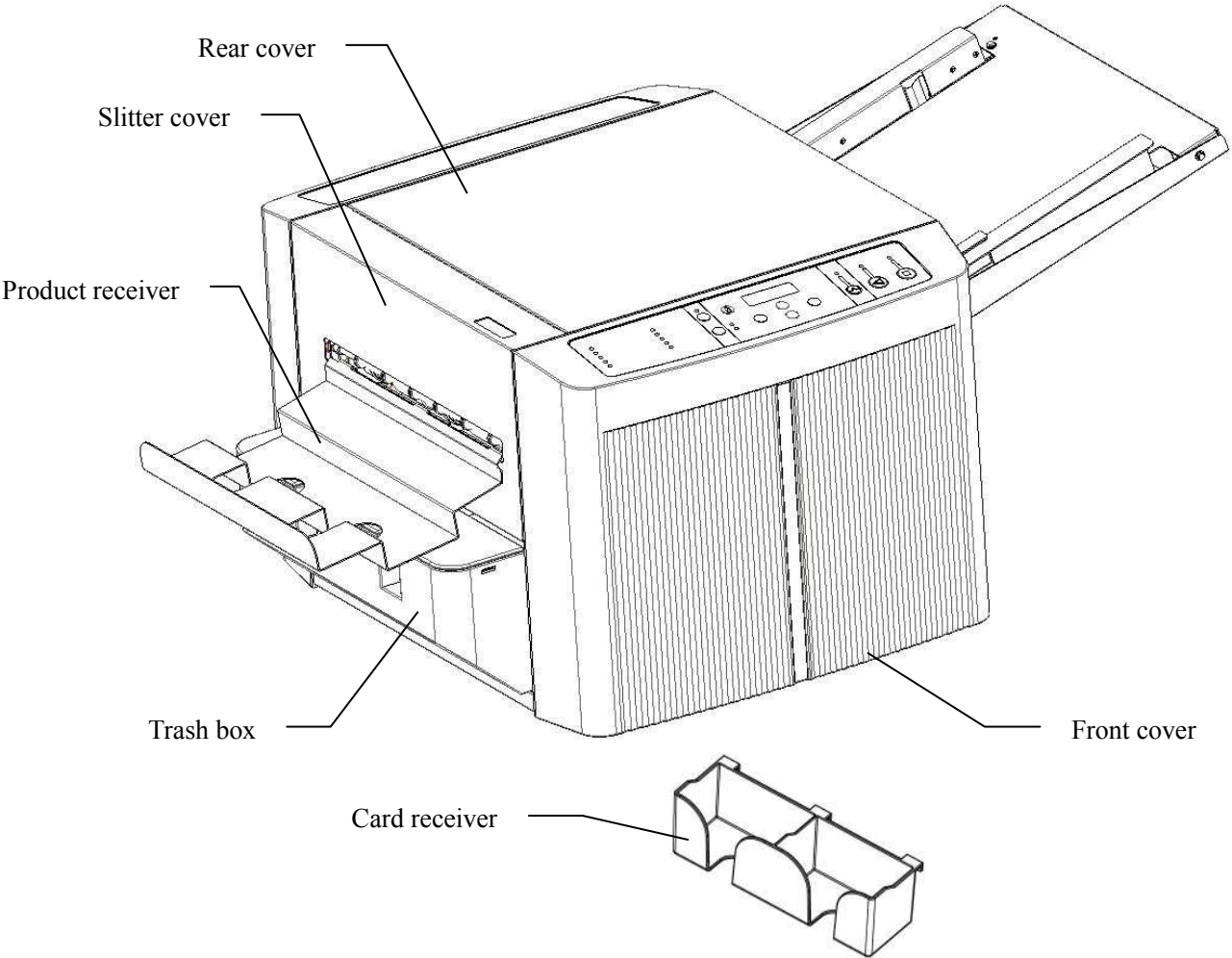
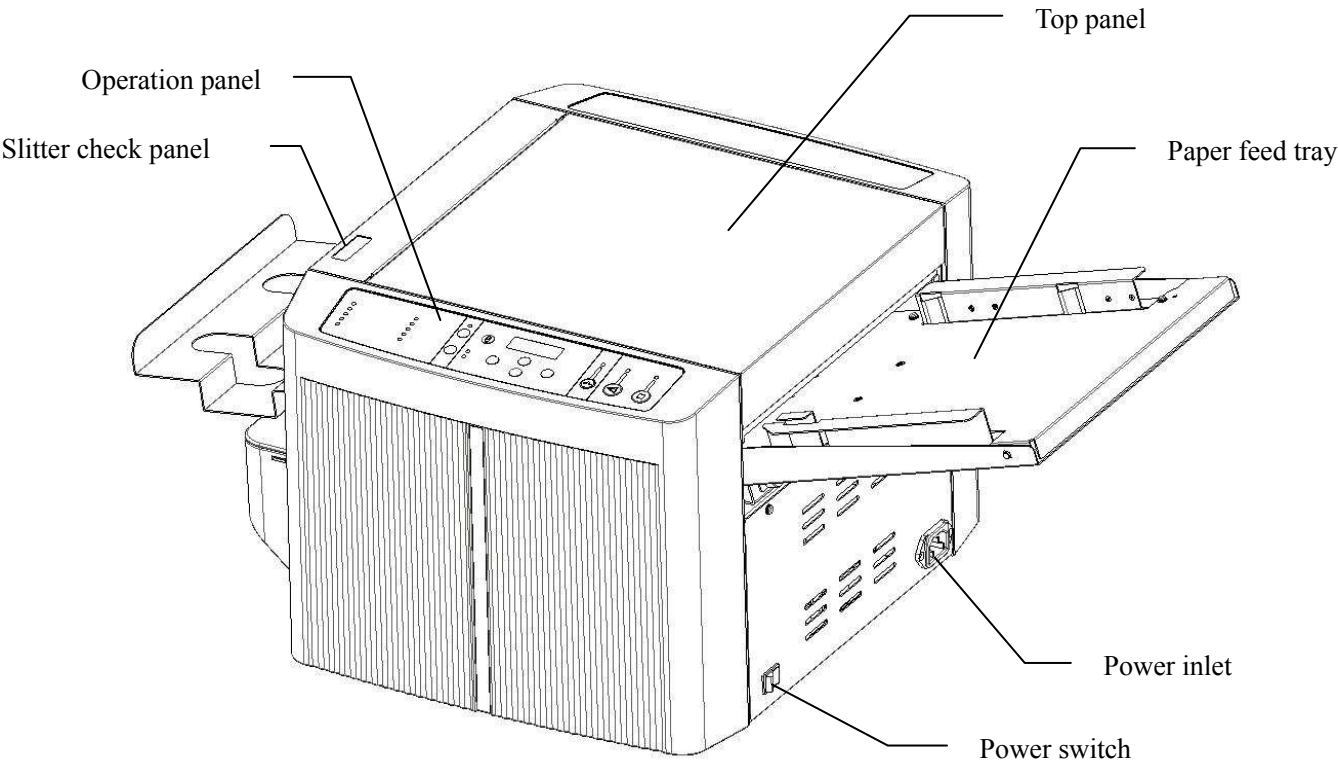
# 1. Installation Precautions

**\* Recommended operating temperature range: 10–40°C**  
**\* It is preferable to use the machine at a humidity of 50% or higher.**

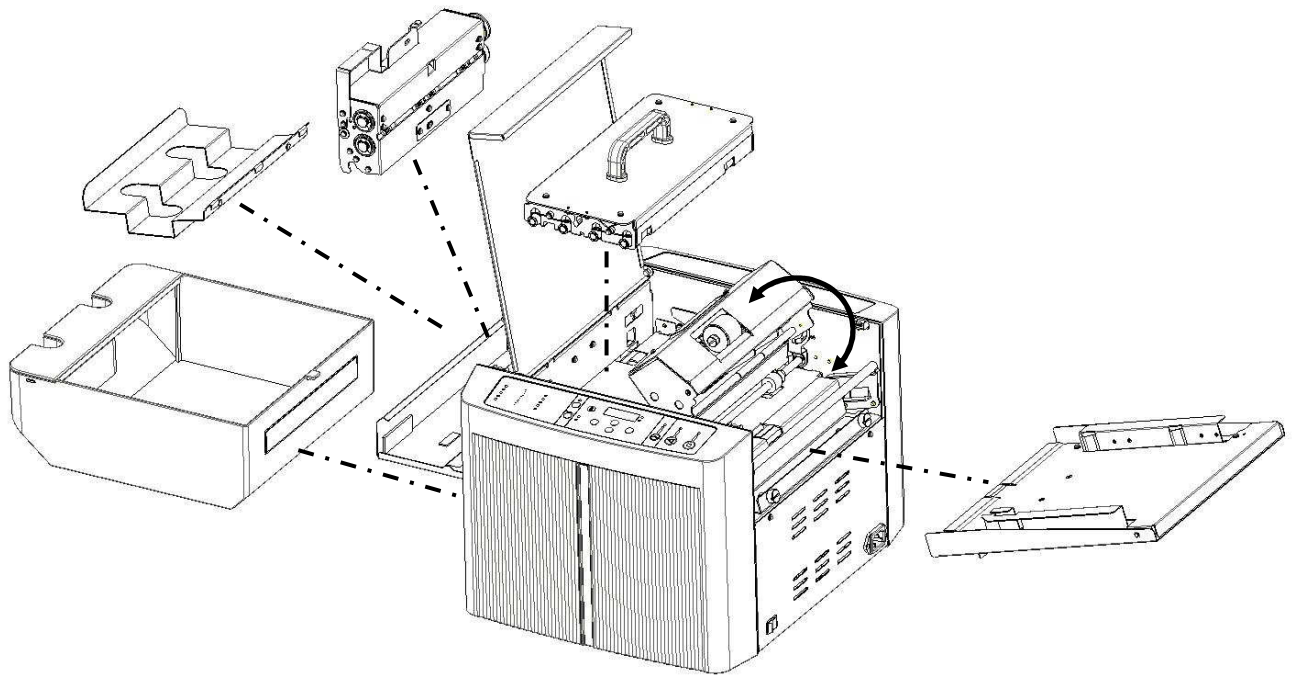
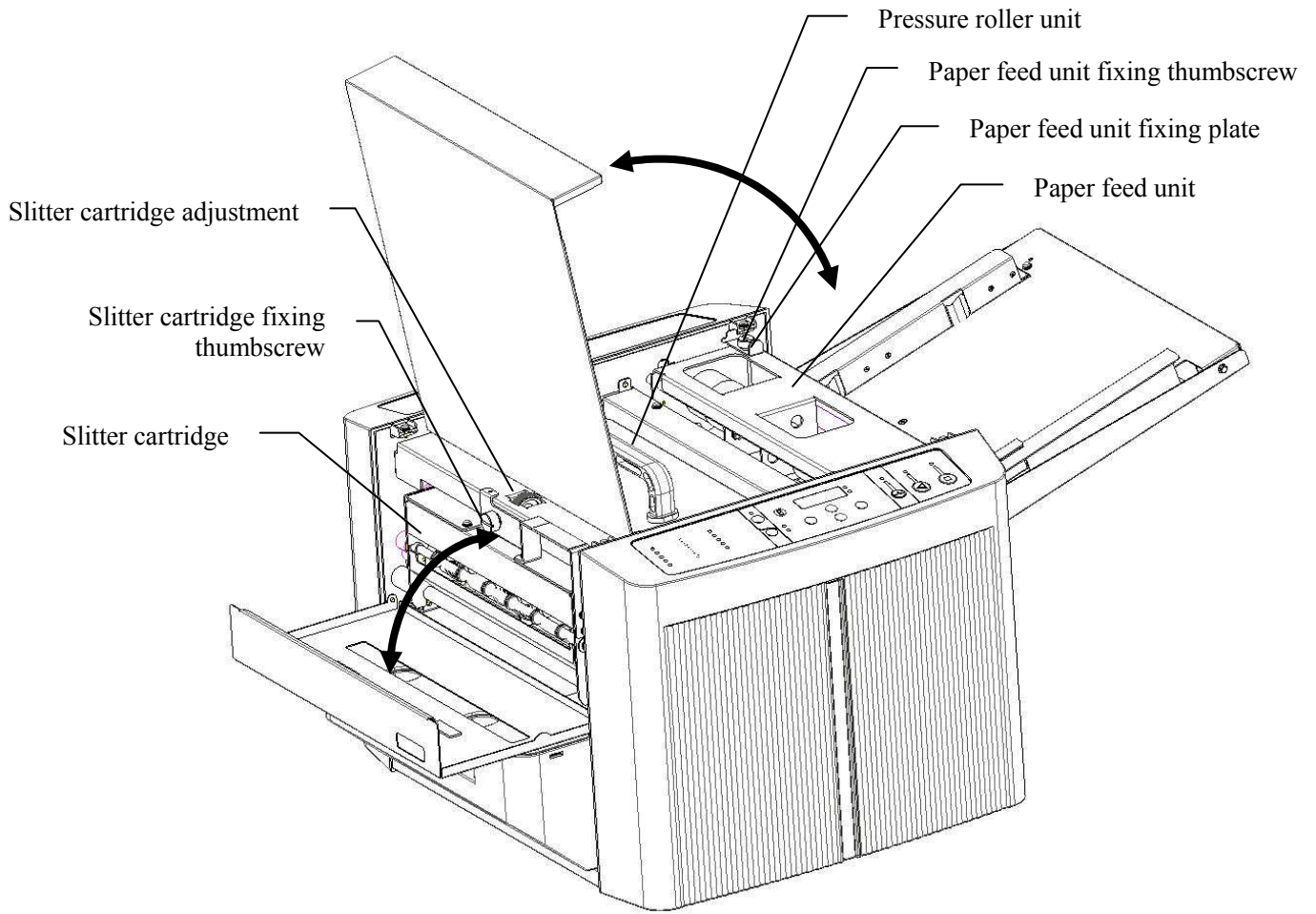




## 2. Part Names

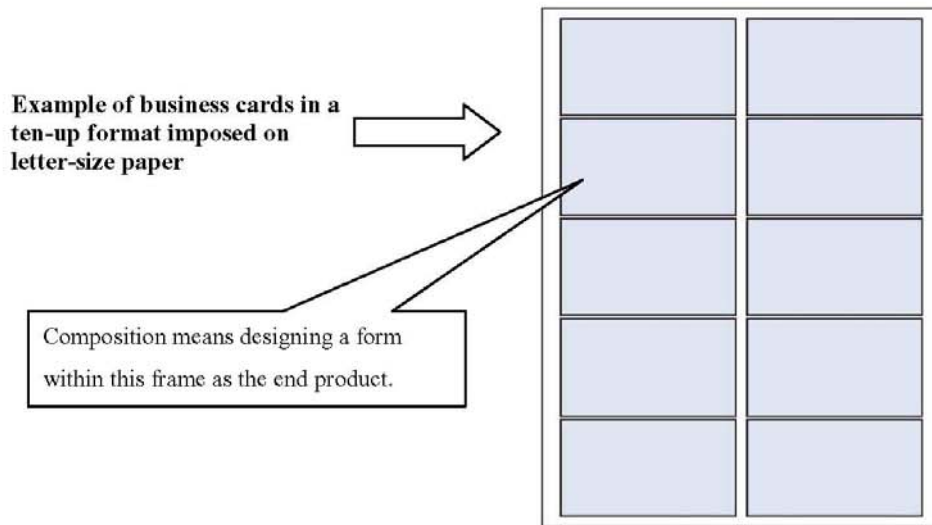






### 3. Composition and Imposition

- \* Composition: To design a form for the end product by combining characters, illustrations, images, etc.
- \* Imposition: To lay out the required quantity of designed forms in a predetermined position on letter-size and legal-size paper.



3.1 The size of paper designated for this machine is letter-size (11"×8.5"mm) and legal-size (13"×8.5").

- \* Test the friction coefficient and color (transparency/depth) of paper before use.

3.2 This machine cuts letter-size and legal-size paper based on various cutting dimensions according to the Prescribed Imposition Format Table (pages 14, 15 and 16).

Therefore, it is necessary to impose a designed form on the paper based on the dimensions of the product to be cut.

Cutting mode is a program that cuts letter-size and legal-size paper along the long side of the paper. This machine provides 10 types of cutting mode.

By combining this cutting mode and the slitter cartridge (for cutting along the short side of the paper), paper can be cut into various dimensions.

- \* The machine comes with BC slitter cartridge at the time of purchase.

- \* For details of the combination of cutting mode and slitter cartridge available for imposition of forms to be cut, see the Slitter Cartridge v.s. Cut Mode (page 13).

### 3.3 Method of composition and imposition

The composition should be prepared based on your own design.

Imposition should be made based on the position and dimensions specified in the Prescribed Imposition Format Table that can be processed by this machine (the table is given on pages 14, 15 and 16).

For imposition work, Illustrator is recommended for precisely laying out the dimensions and positions.

#### **Use of templates**

You may use templates for prescribed imposition (prepared by Illustrator), which can be downloaded from the relevant software website.

You should lay out forms within the frame of the template.

\*For details, download and read the explanation of how to use templates.

\*Adobe Illustrator is a registered trademark of Adobe Systems Incorporated in the United States.

3.4 After completing composition and imposition, output the required quantity of products using a printer.

3.5 The top and bottom, and right and left margins may not be printed precisely according to the imposition. If this happens, fine adjustments can be made using the Adjust Top Margin Key on the operation panel for the vertical direction (along the long side of paper) and the slit cartridge adjustment dial for the horizontal direction (along the short side of paper). (For details, see page 24.)

3.6 If the paper is curled (bent, wavy, etc.), correct it by hand to make the paper as even as possible before printing.

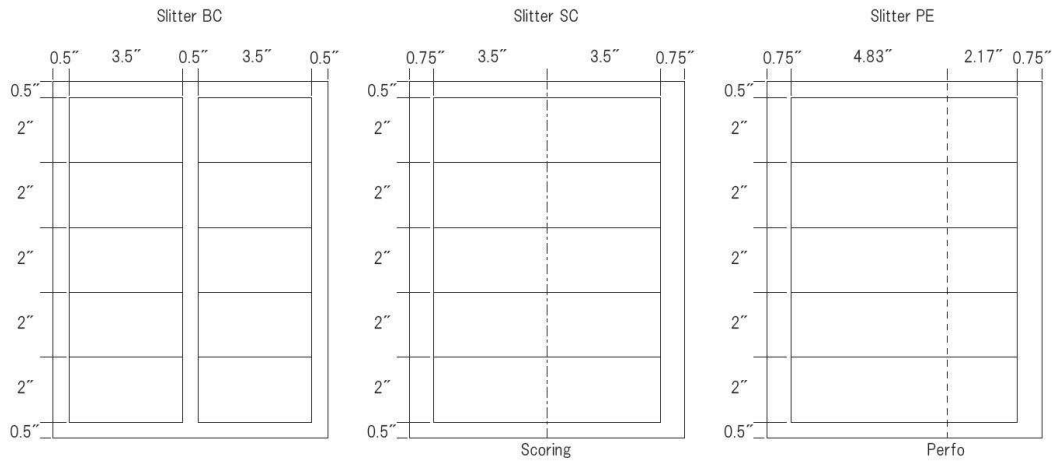
\* Feeding curled or folded paper may cause a paper jam.

## Cutting Mode/Slitter Combination Table

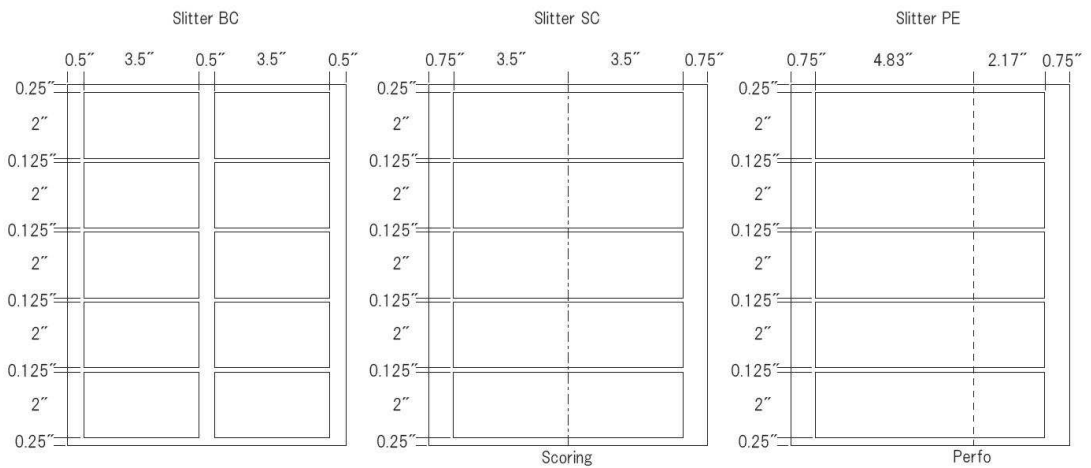
<b>BC-12 Slitter Cartridge v.s. Cut Mode</b>											
	Cut Mode	1	2	3	4	5	6	7	8	9	10
<b>BC</b>	Business Card 2.0" x 3.5" (Standard)	Business Card 2.0" x 3.5" (S-10) Letter	Business Card 2.0" x 3.5" (D-10) Letter	Business Card 2.0" x 3.5" (D-8) Letter	Post C. x 4 3.5" x 5.5" Letter					Photo x 4 3.5" x 5.0" Letter	Business Card 2.0" x 3.5" (D-12) Legal
<b>FD</b>	Full Width for Divisions (Option)						LTR x 2 Div. 5.5" x 8.5" Letter	LTR x 3 Div. 3.67" x 8.5" Letter	LTR x 4 Div. 2.75" x 8.5" Letter		
<b>SC</b>	Scoring (Center) (Option)	Center Scoring 2.0" x 7.0" (S-5) Letter	Center Scoring 2.0" x 7.0" (D-5) Letter	Center Scoring 2.0" x 7.0" (D-4) Letter							Center Scoring 2.0" x 7.0" (D-6) Legal
<b>PE</b>	Perforation (2.16" Right) (Option)	Ticket - Perfo. 2.0" x 7.0" (S-5) Letter	Ticket - Perfo. 2.0" x 7.0" (D-5) Letter	Ticket - Perfo. 2.0" x 7.0" (D-4) Letter							Ticket - Perfo. 2.0" x 7.0" (D-6) Legal
<b>PH</b>	Photo 2L 5.0" x 7.0" (Option)									Photo x 2 5.0" x 7.0" Letter	
<b>PC</b>	Post Card 4.0" x 6.0" (Option)					Post C. x 2 4.0" x 6.0" Letter					

## BC-12 Prescribed Imposition Format Table (1/3)

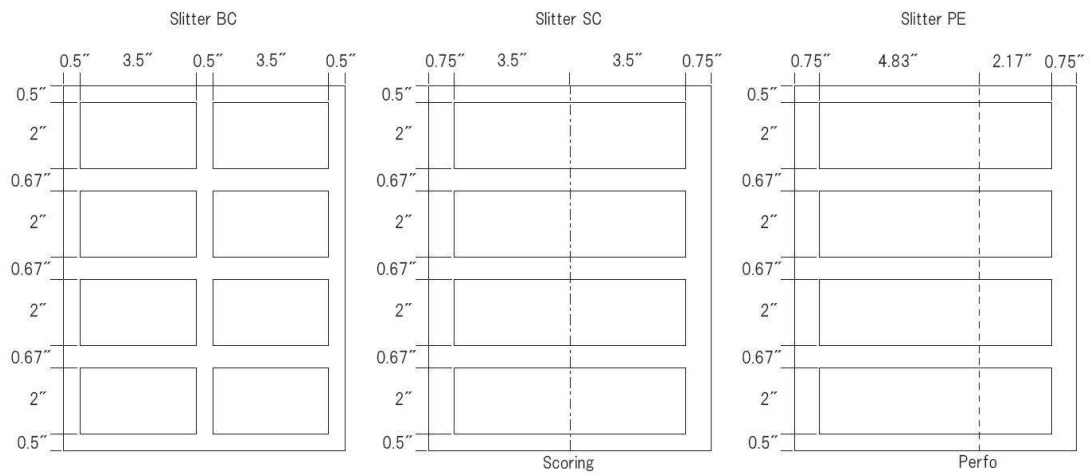
### Cutting Mode 1 (Letter)



### Cutting Mode 2 (Letter)



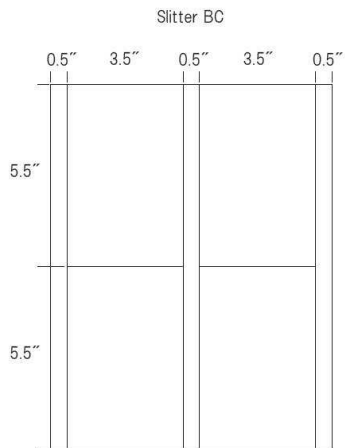
### Cutting Mode 3 (Letter)



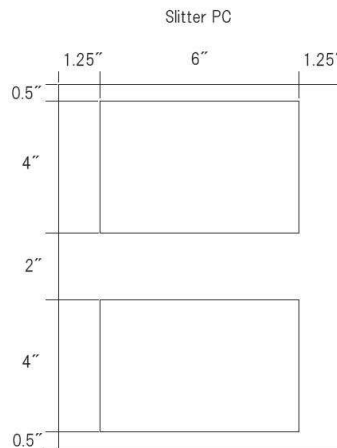


## BC-12 Prescribed Imposition Format Table (2/3)

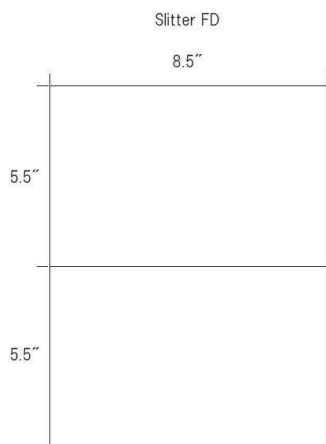
### Cutting Mode 4 (Letter)



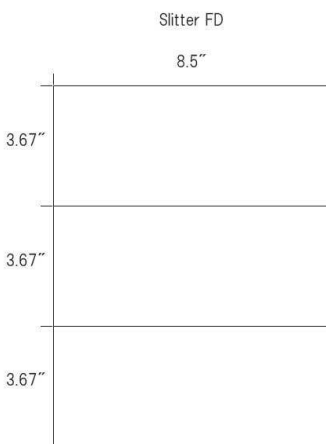
### Cutting Mode 5 (Letter)



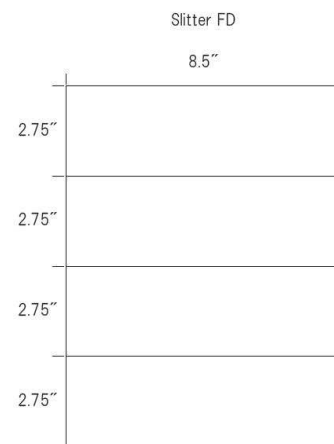
### Cutting Mode 6 (Letter)



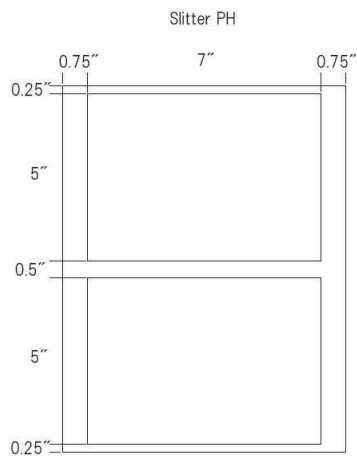
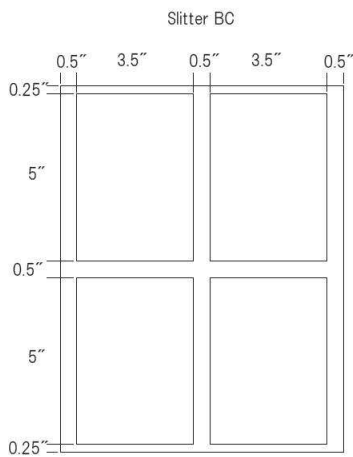
### Cutting Mode 7 (Letter)



### Cutting Mode 8 (Letter)

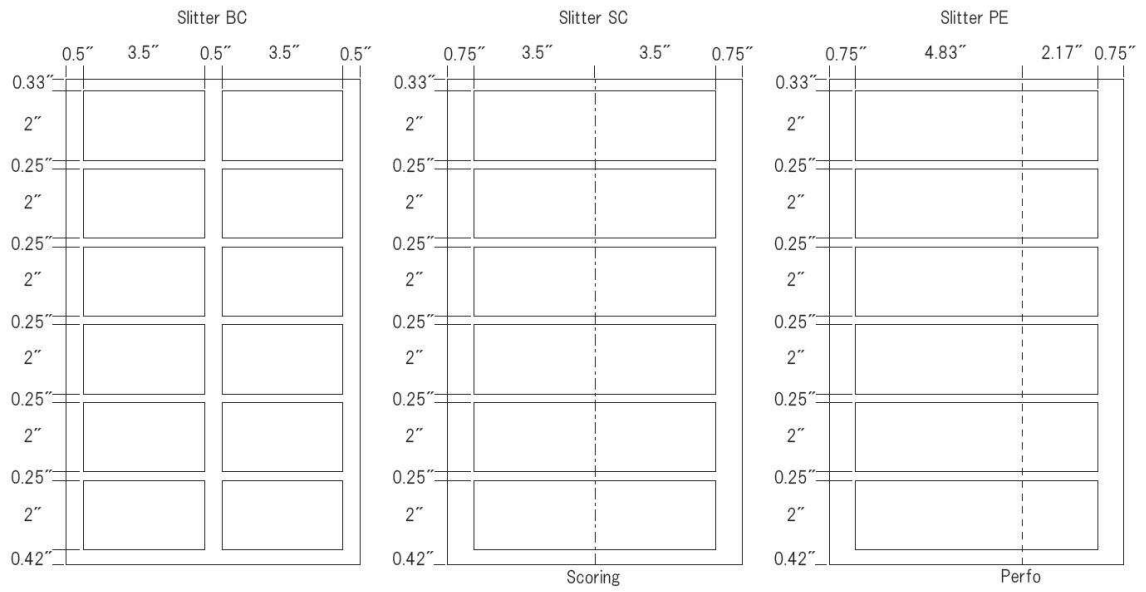


### Cutting Mode 9 (Letter)



## BC-12 Prescribed Imposition Format Table (3/3)

### Cutting Mode 10 (Legal)

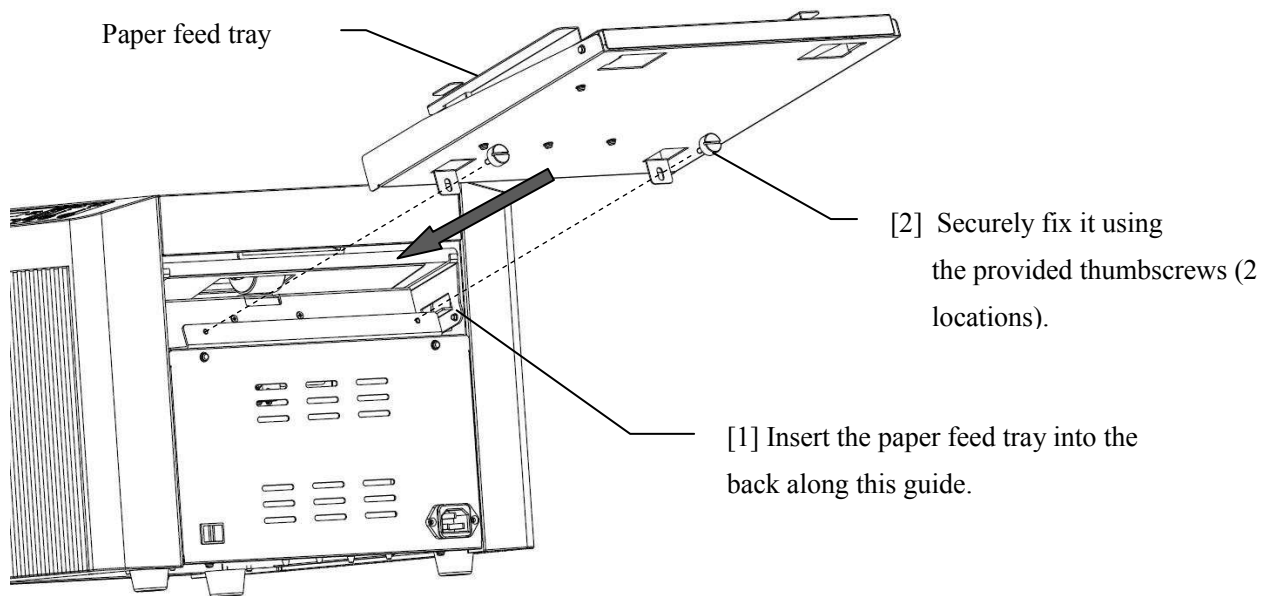


## 4. Preparations for Operation

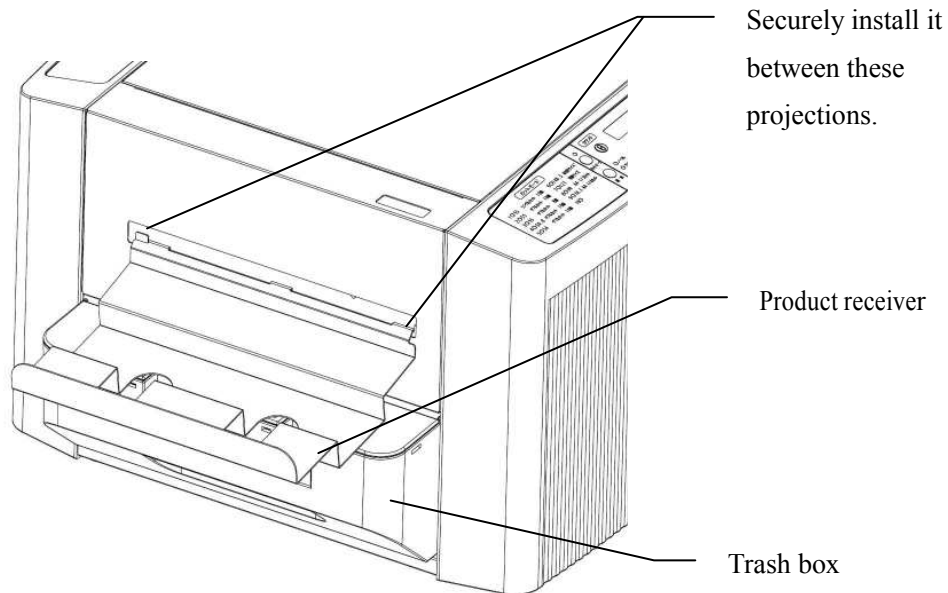
4.1 Use this machine under the operating environment specified in “1. Installation Precautions”.

4.2 Attach the necessary accessories to the machine body.

### 4.2.1 Installing the paper feed tray



### 4.2.2 Installing the product receiver



### 4.2.3 Installing the trash box

\* Make sure that the trash box is securely inserted into the back.

4.3 If the outlet is not triplex (three-pins) (with ground wire), be sure to attach the provided adapter to the power plug and ground it.



## WARNING

When lifting the machine body, securely hold the bottom plate with both of your hands. If you grab part of the plastic cover, it may damage the cover and the machine could fall and cause an injury.

4.4 Insert the power cord plug into an AC120V outlet.



## CAUTION

Do not connect or disconnect the power cord plug to and from the outlet with wet hands. Doing so could cause an electric shock.

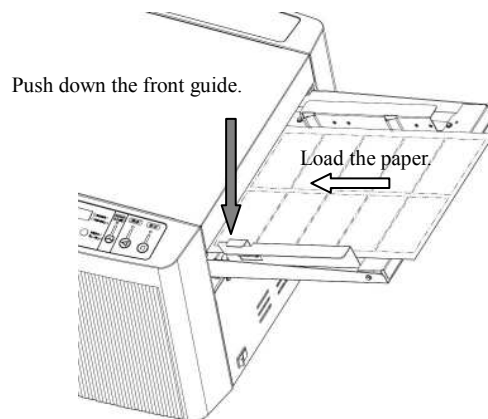


## CAUTION

When disconnecting the power plug, hold the plug and pull it out. Do not pull on the cord.

4.5 Load the letter-size or legal-size paper to be cut into the paper feed tray.

- \* Push down the front guide of the paper feed tray.
- \* Place the paper face up, jog the sheets well, and insert the paper leftward to the far end.
- \* Release the front guide to complete the setting.
- \* Up to 50 sheets (for 0.2mm-thick paper) can be loaded.



## WARNING

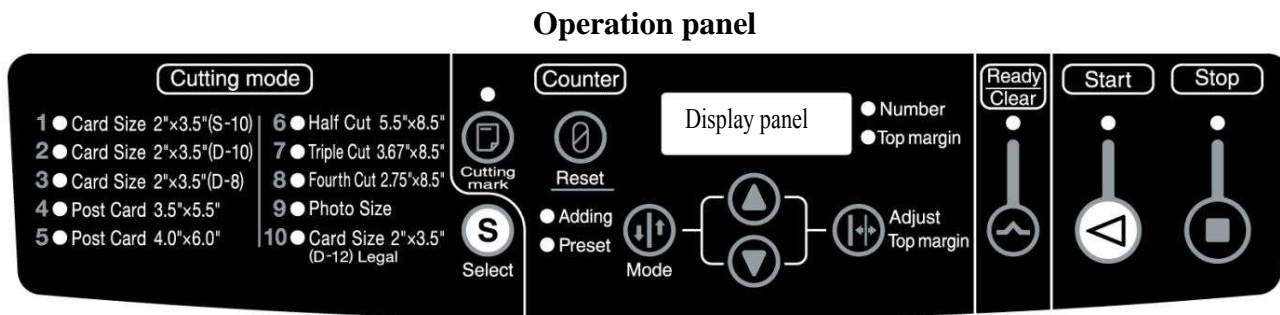
Do not rub your hands on the edges of cut paper. Doing so could injure your hands.

4.6 Turn on the power switch.

- \* The display panel in the center of the operation panel lights up.

## 5. How to Use

### 5.1 Operation panel



- **Display panel**

The setting of the number of products to be cut, number of cut cards, etc. are displayed.

If the top margin is adjusted, the dimension of the margin width is displayed.

Whether the number of products or adjusted dimension of the top margin is displayed can be identified by the pilot lamps on the right.

If an error occurs, its error code is displayed.
- **Start Key**

Press this key to start cutting. While the machine is in operation, the pilot LED lamp (green) above the key is lit.
- **Stop Key**

If this key is pressed while cutting is in progress, the operation stops after cutting the paper being processed, then finishes. While the machine is not in operation, the pilot LED lamp (red) above the key is lit.
- **Ready/Clear Key**

When an error occurs, press this key to release the error. (Nothing happens while the machine is in normal condition.)
- **Cutting Mode Select Key**

Press this key to select one of the 12 cutting modes. If the key is kept pressed (0.5 seconds), the pilot LED lamp of each cutting mode lights up in turn.
- **Cutting Mark Key**

Press this key to switch on or off the cutting mark function. While the cutting mode function is switched on, the pilot LED lamp (red) above the key is lit. (While it is switched off, it is not lit.)
- **Reset Key**

Keep pressing this key to reset the number of products displayed.
- **Mode Key**

Press this key to switch the counter mode between adding mode and preset mode.
- **Adjust Top Margin Key**

Press this key to adjust the top margin.
- **▲Key and ▼Key**

When the number of products is input in preset mode, this key is used to increase or decrease the number.

When the top margin is adjusted, the key is used to adjust it in increments of 0.1mm.

## 5.2 Checking no error is displayed on the display panel

- \* If the machine is in the normal condition, the Ready/Clear LED lamp lights up and the display panel shows “0000” or the number of products processed last time.

(The number of products means the number of cards cut and ejected onto the product receiver.)

## 5.3 Removing errors

- \* If an error is displayed, press the Ready/Clear Key to release the error.
- \* If the error is not released even after pressing the key, it is necessary to solve the error depending on its content.

Error Code	Cause of error	Remedy
E002	Malfunction of the cutter unit	Press the Ready/Clear Key to release the error.
E003	The slitter cartridge is not properly	Properly install the slitter cartridge.
E006	S2 sensor cannot detect the paper edge.	Lift the paper feed unit, remove the paper, and reset the paper properly.
E007	Paper delivery failure (Paper does not reach S3 sensor within the predetermined time limit.)	Remove the sheet or scrap of paper jammed or remaining in the machine.
E008	Paper delivery failure (Paper does not pass through S3 sensor within the prescribed time limit.)	Remove the sheet or scrap of paper jammed or remaining in the machine.

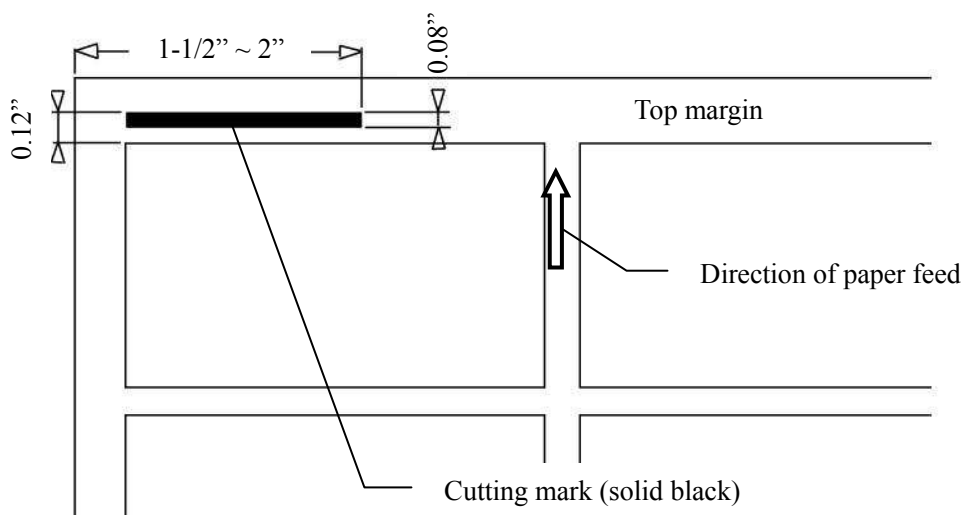
- \* E002, E006, E007 and E008 are errors that occur when there may be a paper jam, or a scrap of cut paper, or a piece of torn paper remaining in the machine. For details on how to handle these, see “5.13 Removing a paper jam” (page 26).

## 5.4 Selecting the cutting mode

- \* When the power switch is on, the cutting mode used last time is selected.
- \* If the cutting mode need not be changed, leave it as it is.
- \* If the Select Key is kept pressed, the green pilot LED lamp of each cutting mode from 1 to 10 lights in order. Release the Select Key when the LED lamp of the desired cutting mode lights up.  
(Each LED lamp is lit for 0.5 seconds.)
- \* If the LED lamp of the desired cutting mode goes off before selection, restart and keep the key pressed to select the right one.  
(The pilot lamps cannot be made to light up in reverse direction.)

## 5.5 Selecting the cutting mark function

- \* Each time the Cutting Mark Key is pressed, the red pilot LED lamp light up or goes off.
- \* If you do not use the cutting mark function, turn the LED lamp off.
- \* If you use the cutting mark function, turn the LED lamp on.
- \* If you do not use the cutting mark function, the machine cuts away the top margin at the distance of the imposed dimension from the edge.
- \* If you use the cutting mark function, the machine cuts away the top margin at the distance of 3mm from the edge of the printed cutting mark regardless of the dimension of the top margin.
- \* The cutting mark is printed together with the composed content, so that even if printing is out of position, the paper can be cut with almost no shear from the designed layout in the direction of the long side of letter-size and legal-size paper because cutting is performed based on the cutting mark.
- \* If you compose and print the cutting mark simultaneously, print it in the following position.



- \* The cutting mark can be used when the cutting mode is 1, 2, 3, 5, 9, or 10. If the cutting mode is 4, 6, 7, or 8, no top margin remains so this function cannot be used.
- \* The cutting mark is printed in black, but depending on the type of ink used for the printer, the cutting mark may not be detected by the sensor of this machine. Also, the cutting mark may not be detected depending on the color of the paper (particularly deep colors).
- \* If the cutting mark function is used but no cutting mark is printed on the paper, the machine stops and E006 is displayed on the display panel.  
(Also, in cutting mode 4, 6, 7, or 8, there is no top margin, and so the machine stops in the same way.)
- \* If the cutting mark function is not used but a cutting mark is printed on the paper, the paper is cut based on the top margin width set by the selected cutting mode.
- \* Because the cutting mark is placed in the margin of the paper, some printers may not be able to print it.

## 5.6 Selecting the counter mode

- \* If the adding mode is selected using the Mode Key, the adding LED lamp lights up and the cumulative number of cut products is displayed on the display panel.
- \* If the machine is operated in adding mode, the machine continues operating until the Stop Key is pressed, or until there is no more paper in the paper feed tray.
- \* If the preset mode is selected, the preset LED lamp lights up, and by pressing the ▲ or ▼ Key, the preset number (number of products) can be increased or decreased. The set number of products will then be cut.
- \* If the machine is operated in preset mode, when the preset number displayed on the display panel becomes “0000”, the machine stops and stands by, and the preset number will be displayed again.
- \* If the machine is operating based on the preset number, when it runs out of paper in the paper feed tray, the machine stops and the remaining number of products to be cut will be displayed. If additional paper is loaded on the tray and the Start Key is pressed, the machine will restart and cut the remaining number of sheets.
- \* The minimum number of sheets that can be preset varies depending on the selected cutting mode and the slitter unit. Thus, the number of products imposed on letter-size and legal-size paper becomes the minimum unit, and multiples of this unit can be preset.

## 5.7 Adjusting the top margin (if necessary)

- \* If there is a misalignment in the first cutting position, such as shear in printing, in the direction of the long side of letter-size and legal-size paper, this can be used for adjustment.  
(Adjustable range:  $\pm 1$  mm)
- \* First, select the cutting mode under which the top margin width is adjusted. (Keep pressing the Select Key.)
- \* If the Adjust Top Margin Key is pressed, the pilot LED lamp on the right of the display panel is switched, the Adjust Top Margin LED lamp lights up, and the present set value of the top margin will be displayed.
- \* By pressing the ▲ or ▼ key, adjustments can be made in increments of 0.1 mm  
(Adjustable range:  $\pm 1$  mm).
- \* When the adjustment is finished and the Adjust Top Margin Key is pressed, the set value is stored and the display panel shows the number of products again.
- \* The initial values of the top margin width are set as follows for each cutting mode.

### Initially set values of top margin

Cutting mode 1:	0.5”	Cutting mode 6:	0.0”
Cutting mode 2:	0.25”	Cutting mode 7:	0.0”
Cutting mode 3:	0.5”	Cutting mode 8:	0.0”
Cutting mode 4:	0.0”	Cutting mode 9:	0.25”
Cutting mode 5:	0.5”	Cutting mode 10:	0.33”

- \* In cutting mode 4, 6, 7 or 8, no top margin is left. Therefore, if the top margin is adjusted, the cutting dimensions of the first sheet are adjusted.



## 5.8 Starting operation

- \* Press the Start Key to start operation.
- \* The Start LED lamp (green) is lit while the machine is in operation, and the Stop LED lamp (red) is lit when operation has stopped.
- \* So far, this manual has explained various setting methods, including how to release errors, select the cutting mark function, select the counter mode function, and adjust the top margin. However, if these settings or adjustment are not necessary, basic operations can be performed as follows.

[1] Load the paper in the paper feed tray.



[2] Select the cutting mode.



[3] Specify the number of products to be cut (only when the preset mode is set).



[4] Press the Start Key to start operation.

## 5.9 Stopping operation

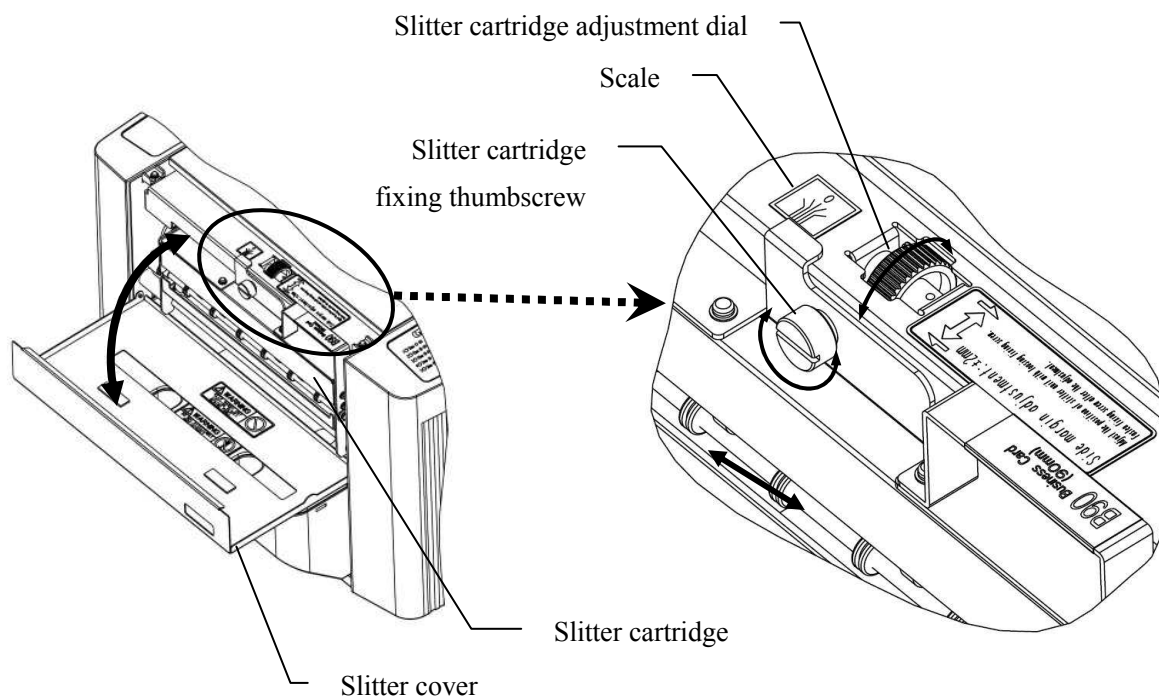
- \* If the Stop Key is pressed while the machine is in operation, the Stop LED lamp (red) lights, and after the cutting process in progress has finished, the machine stops operation.
- \* If the Start Key is pressed after the operation is stopped, the machine starts operation again.  
(Do not press the Start Key or Stop Key before the operation stops.)

## 5.10 Emergency stop and safety device (Interlock)

- \* If [1] the top panel or slitter cover is opened, or [2] the trash box is pulled out, during operation, the machine stops immediately. If an emergency stop is necessary, use either of these methods.
- \* To start operation again after [1] closing the top panel or slitter cover, or [2] installing the trash box, and after removing any sheet or scrap of paper remaining in the machine, press the Ready/Clear Key to put the machine in the stand-by state.
- \* While the top panel or the slitter cover is open or the trash box is not set to its proper position the machine power can not be turned on and the display goes out because of safety feature.  
Because this function is part of the machine's safety feature, the machine does not work until the top panel, slitter cover and trash box are returned to their proper positions.

## 5.11 Adjusting the right and left side margins (direction of the short side of letter-size and legal-size paper)

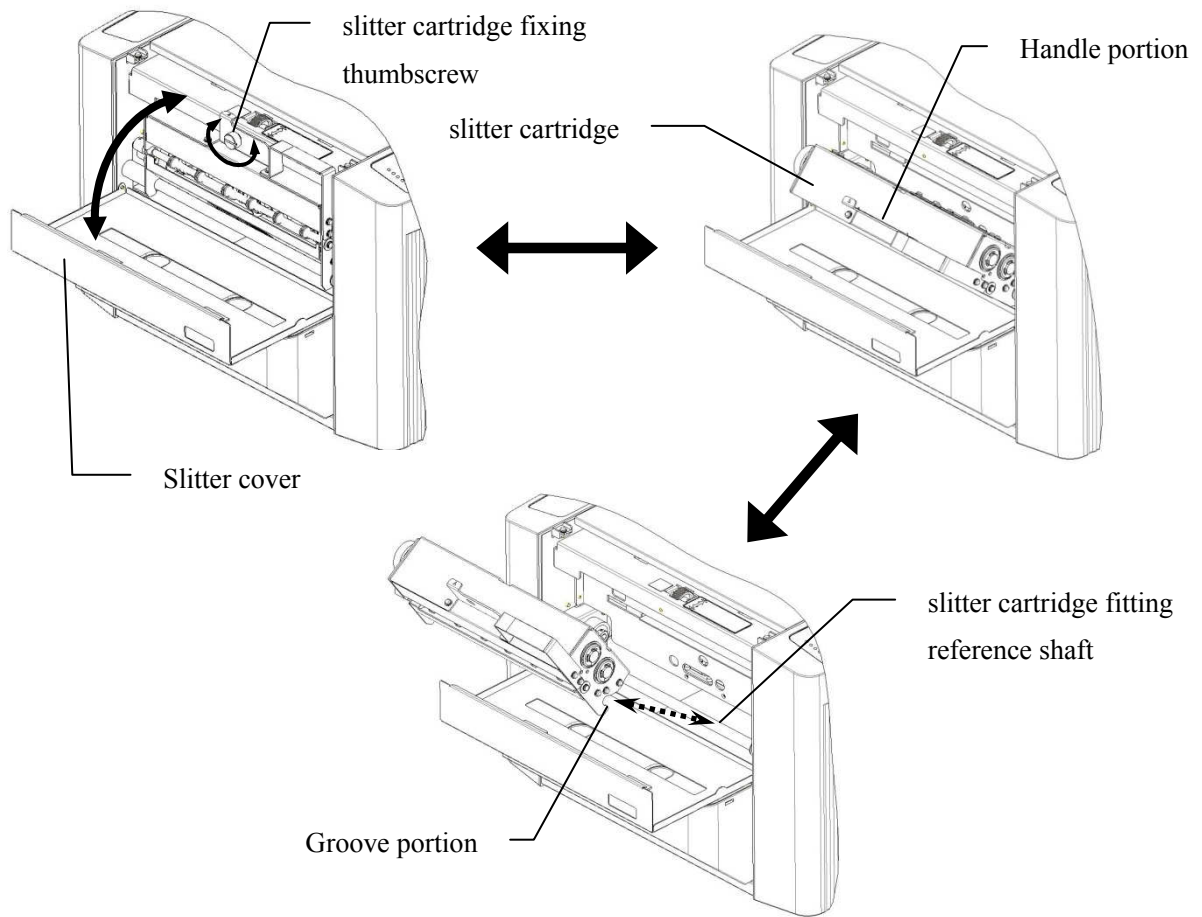
- \* The right and left side margins (direction of the short side) are adjusted by moving the slitter cartridge. Be sure to turn off the power before making this adjustment.
- \* Open the slitter cover and slightly loosen the slitter cartridge fixing thumbscrew.
- \* Turn the slitter unit adjustment dial to adjust the position of the slitter unit (within  $\pm 2\text{mm}$ ).
- \* The scale is useful as a guide for adjustment.
- \* When the slitter unit adjustment dial is turned to the right, the slitter cartridge moves forward, and when turned to the left, the unit moves backward.



- \* After completing the adjustment, securely tighten the slitter cartridge fixing thumbscrew.

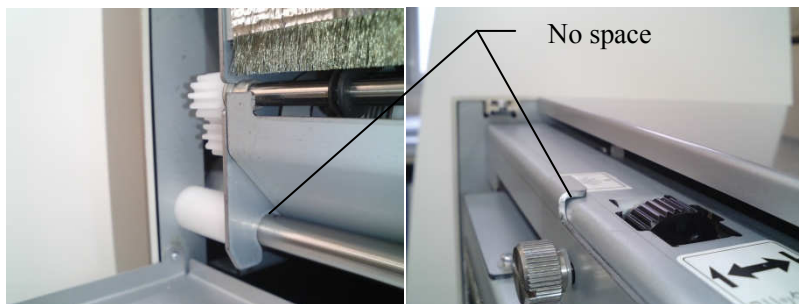
## 5.12 Removing the slitter cartridge (Replacement)

- \* When you remove or replace the slitter cartridge, be sure to turn off the power switch.
- \* Open the slitter cover and remove the slitter unit fixing screw.
- \* Lean the handle portion of the slitter cartridge by pushing it down to remove the slitter cartridge.
- \* You can install the slitter cartridge in the reverse process, but it is necessary to securely insert the groove portion of the slitter cartridge into the slitter cartridge fitting reference shaft mounted in the machine body. (Securely insert it so that there is no space between the groove and the shaft.)
- \* When the unit is installed, securely tighten the slitter cartridge fixing thumbscrew.

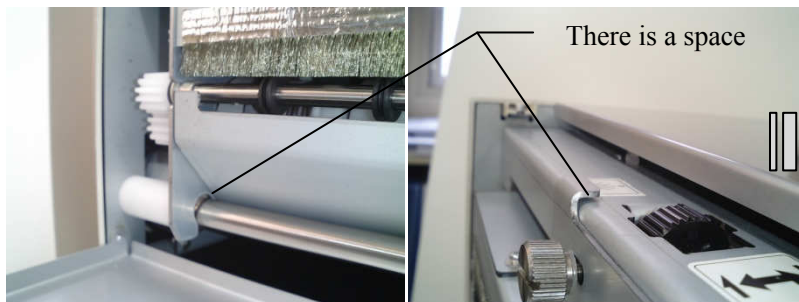


\* Make sure to engage gears of slitter cartridge and machine each other.  
 Otherwise, (1) generates extreme noise when machine is operated, (2) continuous operation with extreme noise may wear out gears unexpectedly.

**The slitter unit and the gear engage appropriately.**



**The slitter unit and the gear do not engage fitted appropriately.**



**solution**  
 In that case, move the small gear up and down, then the gears will be fitted appropriately.



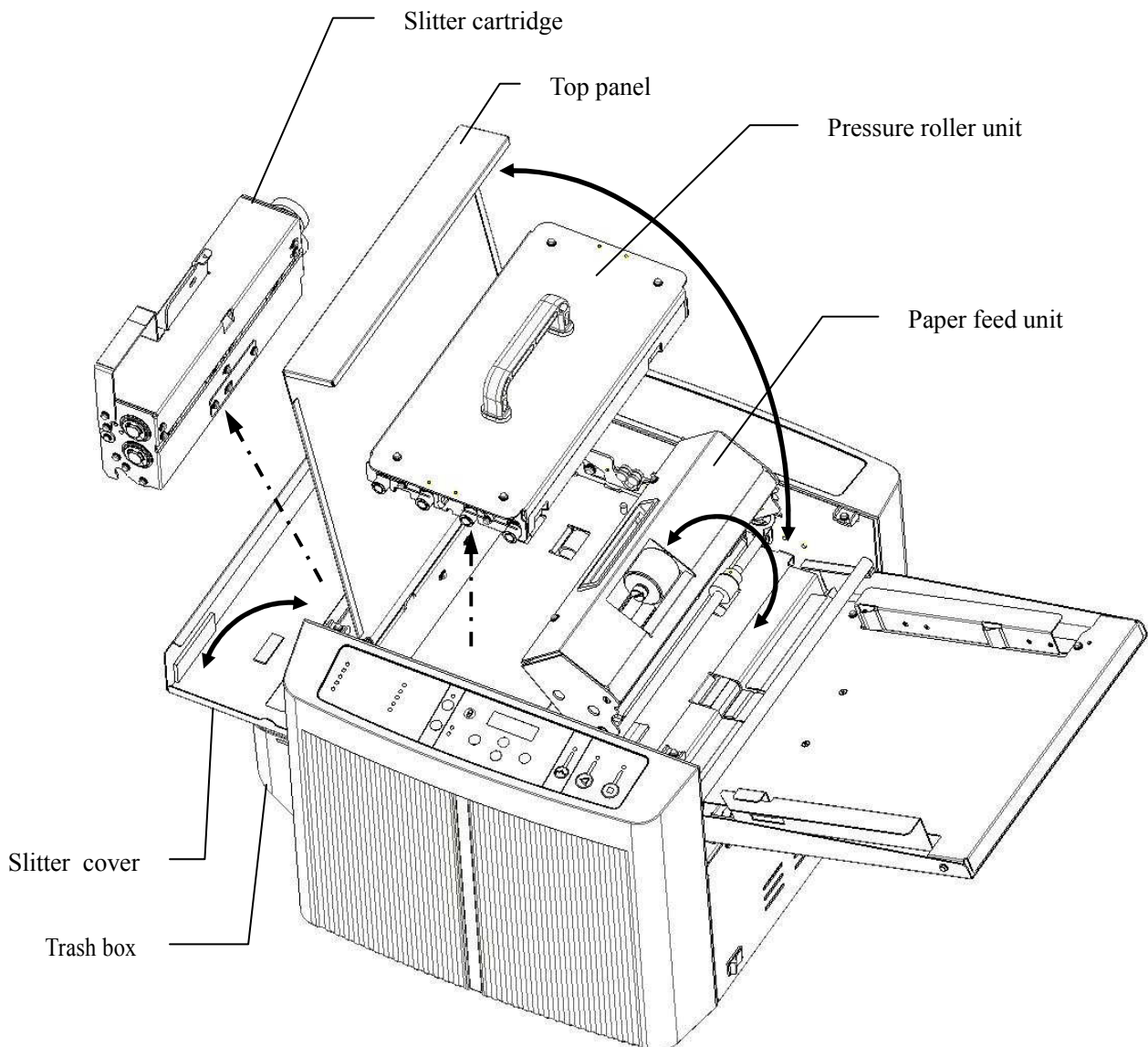
### 5.13 Removing a paper jam



## WARNING

Before trying to remove a sheet or scrap of paper jammed inside the machine, first turn off the power switch. Otherwise your hand may be caught in the machine or you could receive an electric shock.

- \* To make it easier to remove a sheet or scrap of paper jammed inside the machine, each unit can be removed or opened as shown below.



- \* The main remedy for handling paper jams are explained later in this manual. Deal with it according to the location and type of error.

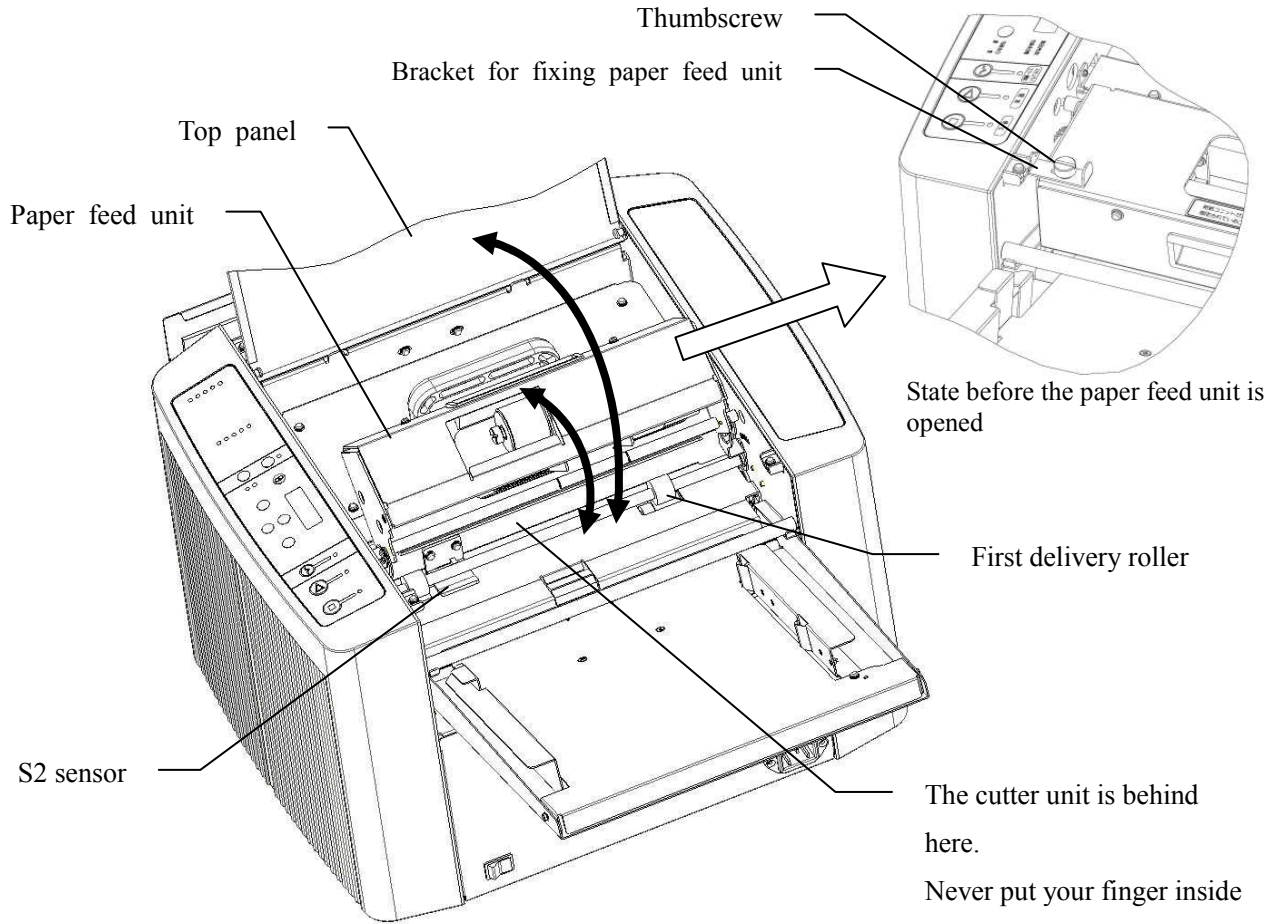
### 5.13.1 When “E002” is displayed

- \* “E002” indicates the cutter unit may have stopped during cutting operation.
- \* Turn off the power switch, open the top panel, and then open the paper feed unit by loosening the paper feed unit fixing bracket and lifting the unit.
- \* The cutter unit is installed behind the first delivery roller under the paper feed unit. Check whether it has stopped cutting paper halfway.
- \* If it has stopped cutting paper halfway, close the paper feed unit and top panel, turn on the power switch, and press the Ready/Clear Key. Then, the cutter in the cutter unit will then be disengaged. (The sound of the cutter being released is heard for a moment.)
- \* After turning off the power switch, open the top panel and paper feed unit and remove any paper or scrap of paper remaining near the cutter unit.
- \* To remove a scrap of paper remaining near the cutter unit, push in an A4 sheet as shown in the drawing on the next page, then you can easily make the scrap drop into the trash box.
- \* Also, to pull out a sheet of paper stuck in the first delivery roller, gently drop the paper feed unit further as shown in the drawing. The roller will move up and you can pull out the paper.
- \* After completely removing the remaining sheet or scrap of paper, securely close the top panel and paper feed unit, turn on the power switch, and press the Ready/Clear Key.  
(When closing the paper feed unit, securely tighten the thumbscrew of the paper feed unit fixing bracket.)

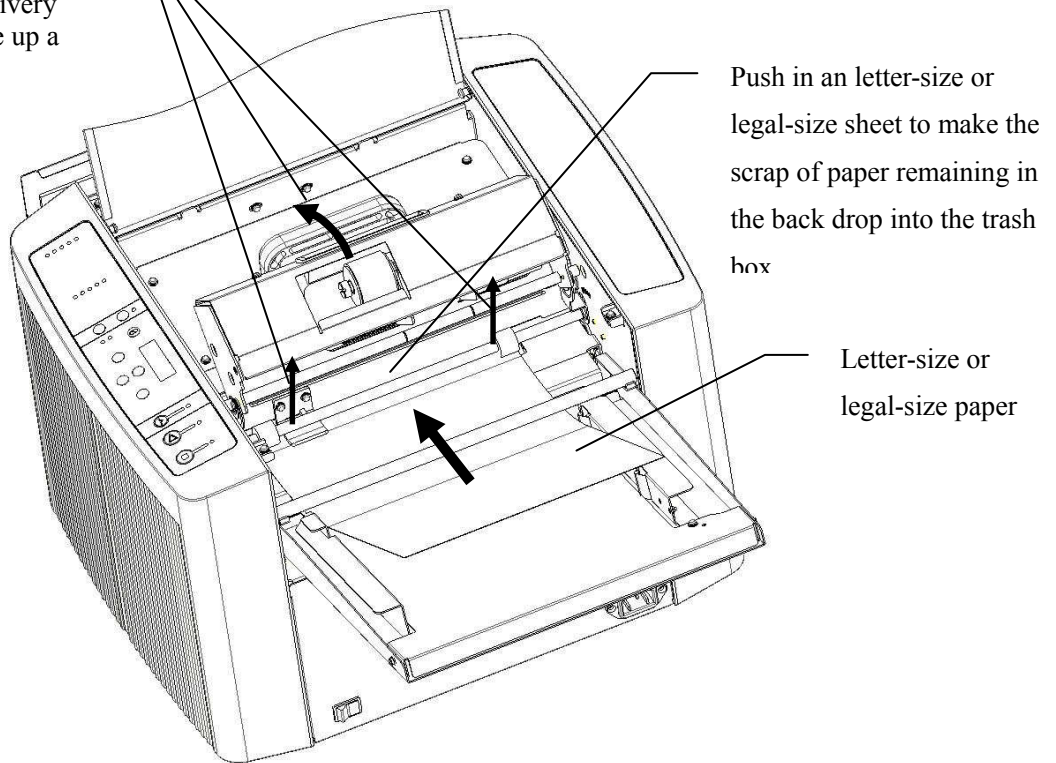


#### WARNING

When removing a sheet of paper caught in the cutter unit, be sure to turn off the power switch before doing so. Otherwise, it may injure your fingers, or cause an electric shock.



Gently drop the paper feed unit down further, and the first delivery roller will move up a little.





### 5.13.2 When “E006” is displayed

- \* “E006” indicates that a sheet of paper was drawn into the machine but it was stopped because the sensor that detects the edge of paper (S2 sensor) cannot detect the edge properly.
- \* “E006” also occurs when a piece of paper such as a margin that was cut during cutting operation does not fall into the trash box but remains near the sensor (S2 sensor).
- \* Turn off the power switch, open the top panel and paper feed unit, and remove the remaining sheet or scrap of paper.
- \* Securely close the top panel and paper feed unit and turn on the power switch.  
(When closing the paper feed unit, securely tighten the thumbscrew of the paper feed unit fixing bracket.)
- \* If “E006” is still displayed, press the Ready/Clear Key.

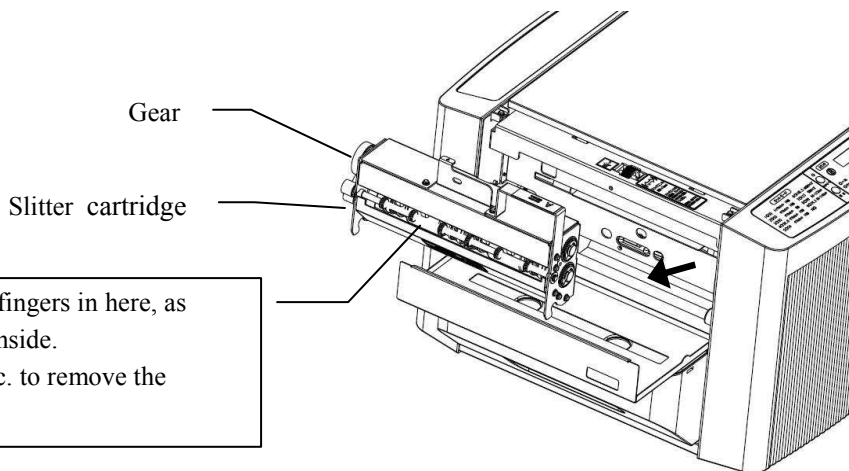
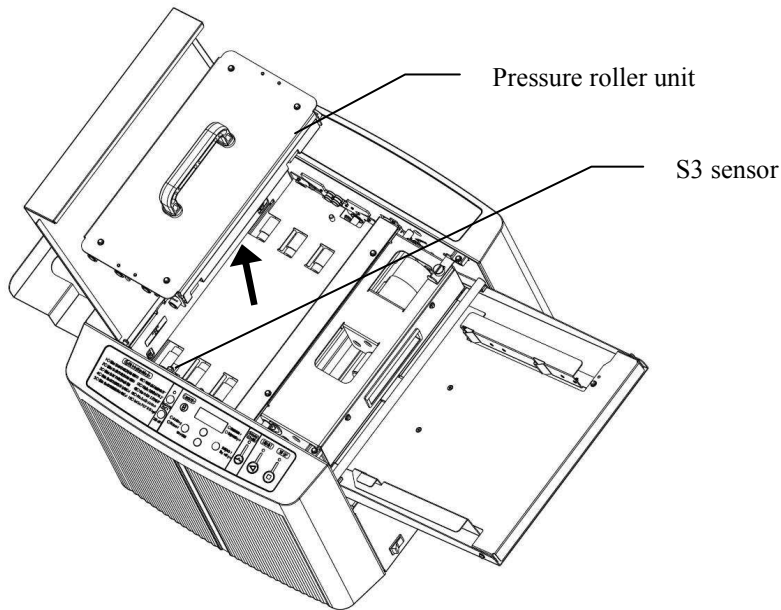
### 5.13.3 When “E007” is displayed

- \* “E007” occurs when paper does not reach the S3 sensor within the time frame set by the operation program of this machine. In other words, the paper is stopped (or stuck) somewhere between the S2 sensor and S3 sensor.
- \* Turn off the power switch, open the top panel and pull out the pressure roller unit upward.
- \* Remove the sheet or scrap of paper remaining in the machine.
- \* Install the pressure roller unit in the proper position, close the top panel, then turn on the power switch.
- \* If “E007” is still displayed, press the Ready/Clear Key.
  
- \* If this error cannot be released by this procedure, other paper may be remaining under the paper feed unit. Check this part, too. (See 5.13.2.)

### 5.13.4 When “E008” is displayed

- \* “E008” occurs when the paper has not passed through the S3 sensor within the time frame set by the operation program of the machine. In other words, the paper is stopped (or stuck) somewhere at or after the S3 sensor and before ejection.
- \* Turn off the power switch, open the top panel and pull out the pressure roller unit upward.
- \* Remove the sheet or scrap of paper remaining in the machine.
- \* If paper is remaining not only in the pressure roller unit but also in the slitter cartridge, open the slitter cover and remove the paper from the ejection outlet side of the slitter cartridge.
- \* When removing the jammed paper from the ejection outlet side of the slitter cartridge, pick it up and pull it out using tweezers, etc.  
(Never put your fingers inside the ejection outlet, as the slitter blade inside could cause an injury.)

- \* Install the pressure roller in the proper position, close the top panel and slitter cover, and turn on the power.
- \* If “E007” is still displayed, press the Ready/Clear Key.
- \* If the paper cannot be properly removed from the ejection outlet side of the slitter cartridge, remove the slitter cartridge from the machine body, and while turning the gear of the slitter cartridge, grasp the jammed paper using tweezers, etc. and pull it out. Take care not to trap your fingers in the gear which could cause an injury.



Do not put your fingers in here, as there is a blade inside.  
Use tweezers, etc. to remove the remaining paper.



## 6. Handling the Trash Box

- \* While cutting is in progress, cut strips are collected in the trash box.
- \* When the box becomes too full with margins, some may gather around the cutter and could cause a paper jam. Frequently empty the strips from the trash box (after cutting approximately 50 sheets of letter-size and legal-size paper).



### WARNING

When the trash box is pulled out, do not put your hand inside the machine from under the slitter cartridge. When the trash box is pulled out, the safety device works and the machine stops, but the blade in the back could injure your fingers.



### WARNING

Do not remove the transparent cover of the trash box, as it is part of the cover of the slitter cartridge.

## 7. Power Off

- \* When cutting work is finished, turn off the power switch.
- \* If the machine will not be used for many hours, remove the power plug from the outlet.



### WARNING

If you notice a strange sound or smell while the machine is operating, turn off the power switch immediately, remove the power cord plug, and contact your dealer for inquiries/repairs.

## 8. Maintenance

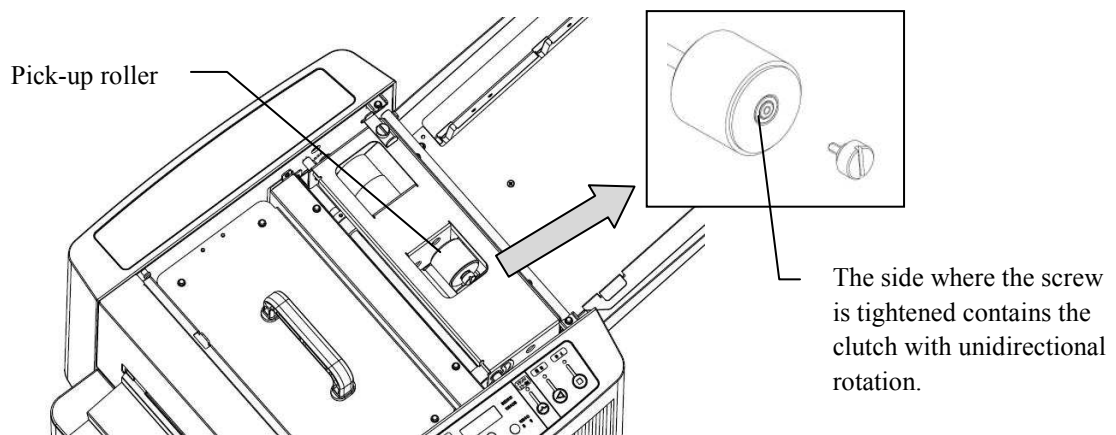


### WARNING

Turn off the power switch before performing maintenance work, otherwise your hand may be caught in the machine or you could receive an electric shock.

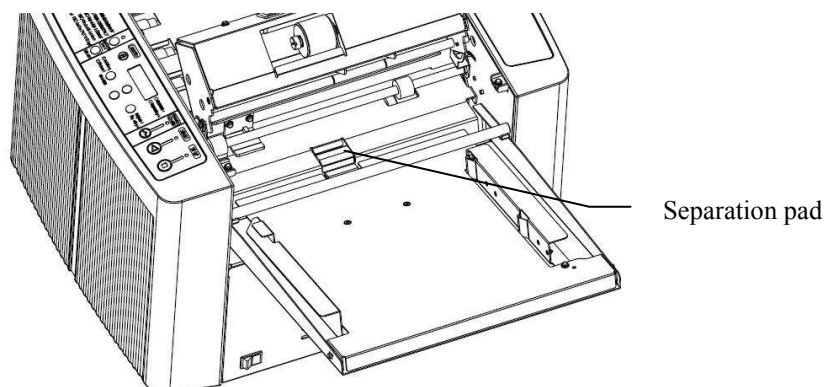
#### 8.1 Maintenance check and replacing the pick-up roller

- \* If the pick-up roller in the paper feed unit becomes worn out and paper feed failure occurs, replace the pick-up roller. (For replacing the pick-up roller, contact your dealer.)
- \* Remove the roller fitting thumbscrew and replace the roller with a new one.
- \* Note that the pick-up roller has a fixed direction.  
(There is a clutch with a unidirectional rotation, so if the roller is placed in the reverse direction, it will not rotate in the proper direction.)



#### 8.2 Maintenance check and replacing the separation pad

- \* If the separation pad under the paper feed unit becomes worn out and paper feed failure occurs, replace the separation pad. (For replacing the separation pad, contact your dealer.)
- \* The separation pad is attached with double-sided adhesive tape. Attach the new one after completely removing the remaining adhesive and dust.



### 8.3 Replacing the blade

- \* When cut edges are no longer crisp, it is time to replace the blade.
- \* If the short side of letter-size and legal-size paper (vertical direction when seen from the front of the machine) is not cut well, the cutter unit needs to be replaced.
- \* If the long side of letter-size and legal-size paper (horizontal direction when seen from the front of the machine) is not cut well, the slitter cartridge needs to be replaced.
- \* In either case, contact your dealer to place an order to a special agent or maker.



#### WARNING

If you touch the blade inside the cutter unit or slitter cartridge, you could be seriously injured. Never disassemble the cutter unit or slitter cartridge.

- \* The blades of the cutter unit and slitter cartridge built into the machine are highly durable and developed for cutting general paper. If they are used to cut any paper other than the specified one, the blades may become nicked and their durability severely deteriorated. Take great care to ensure that no clips or staples enter the device together with paper.

### 8.4 Prohibition of disassembly

- \* Do not disassemble any parts other than those specified for maintenance in this operation manual.
- \* This machine was shipped after being optimally adjusted. Inadvertent disassembly could degrade machine performance or cause failure, and could also cause an injury.

### 8.5 Others

- \* This machine needs no lubrication.
- \* Do not wipe the coated external cover, particularly plastic parts, using alcohol or solvent. Doing so may damage the plastic surface or coating.

## 9. Option

### 9.1 Slitter cartridge

\* The machine comes with a BC slitter cartridge at the time of purchase.

You can purchase below optional slitter cartridge suitable for the cutting forms.

Slitter BC	Business Card (3.5")	(Standard)
Slitter FD	Full Width for Division	(Option)
Slitter SC	Scoring (Center)	(Option)
Slitter PE	Perforation (2.16" Right)	(Option)
Slitter PH	Photo 2L (5.0"×7.0")	(Option)
Slitter PC	Post Card (4.0"×6.0")	(Option)

\* Refer to Cutting Mode/Slitter Combination Table on page 13 and BC-12 Prescribed Imposition Format Table on page 14, 15 and 16 as to the detail for the cutting forms.

## 10. Troubleshooting Q&A

If you think the machine is out of order, check the following first.

Q1 The display panel and all pilot LED lamps do not light up when you turn on the power switch.

- Is the power cord properly connected?
- Is the outlet live with electricity?
- If the LED lamps do not light up after you have checked the above, the machine is out of order.

Q2 The machine does not work when you press the Start Key.

- Is an error displayed on the display panel?
- Is the Ready/Clear LED lamp (green) lit?  
(Did you forget to release the error by the Ready/Clear Key?)
- Is 0 (zero) displayed as the number of products set under the preset mode of the counter?
- If the machine does not start even after checking all of the above, the machine may be out of order.

Q3 The machine does not start feeding the paper when you press the Start Key.

- Is the paper too thick? (Paper must be no thicker than 0.30mm and no heavier than 302g/mm<sup>2</sup>.)
- Are the edges or corners of the paper heavily curled?
- Is the paper stained with oil or powdery substance?
- Is the friction on the paper surface too strong or weak?
- Is the pick-up roller or separation pad worn out?  
→ In this case, see “8. Maintenance.”
- If it does not feed paper even after checking and correcting all of the above, the machine may be out of order.

Q4 Paper stops moving ahead after moving slightly.

- Are you using nonstandard paper (highly transparent paper, dark color paper, paper that reflects light diffusely)? (The sensor cannot detect the edge.)
- Use suitable paper.

Q5 The machine has started to feed two sheets or more, even though normal paper is used.

- If the sheets stick together because of static electricity:  
→ Fan the stack of sheets and reload them.
- Atmospheric humidity is too low → Increase humidity (using a humidifier, etc.).
- Is the machine properly grounded? → Ground the machine securely.
- Is the separation pad worn out? → In this case, see “8. Maintenance.”
- If these procedures do not solve the problem, the machine may be out of order.

Q6 The blade does not cut partly.

- There may be nicks in the blade. If so, it is necessary to replace or repair the cutter unit or slitter cartridge. Contact your dealer.

Q7 The cut edges are not crisp.

- The blade needs to be replaced. It is necessary to replace or repair the cutter unit or slitter cartridge. Contact your dealer.

Q8 The lengths of finished cards are unequal (by more than  $\pm 0.15\text{mm}$ )

- The paper may be too curly or wavy to allow smooth delivery of paper.
  - Remove the curls or waves as far as possible.
- The paper may have too much friction to allow smooth delivery.
  - Try a different kind of paper.
- If these procedures do not solve the problem, contact your dealer.

Q9 Cutting accuracy is good, but the positions of printed images are uneven.

- The composition or imposition may be incorrect.
  - Make sure that they are based on the predetermined dimensions and positions.
- The output printing may be sheared.
  - Correct the positions of printed images.

Q10 The display panel of the operation panel does not display as operated.

- It is out of order.

Q11 When the cutting mode is set to “Double Cut,” cut margins go forward instead of falling into the trash box, causing problems.

- Static electricity may make thin cut margins stick to the blade or nearby parts, and thus not fall into the trash box.
  - Use the machine in an atmosphere with at least 50% humidity (using a humidifier, etc.).

Q12 The machine shows abnormal operation.

- Turn off the power switch, wait for more than seven seconds, then turn on the power.
- If the situation remains the same, the machine may be out of order.