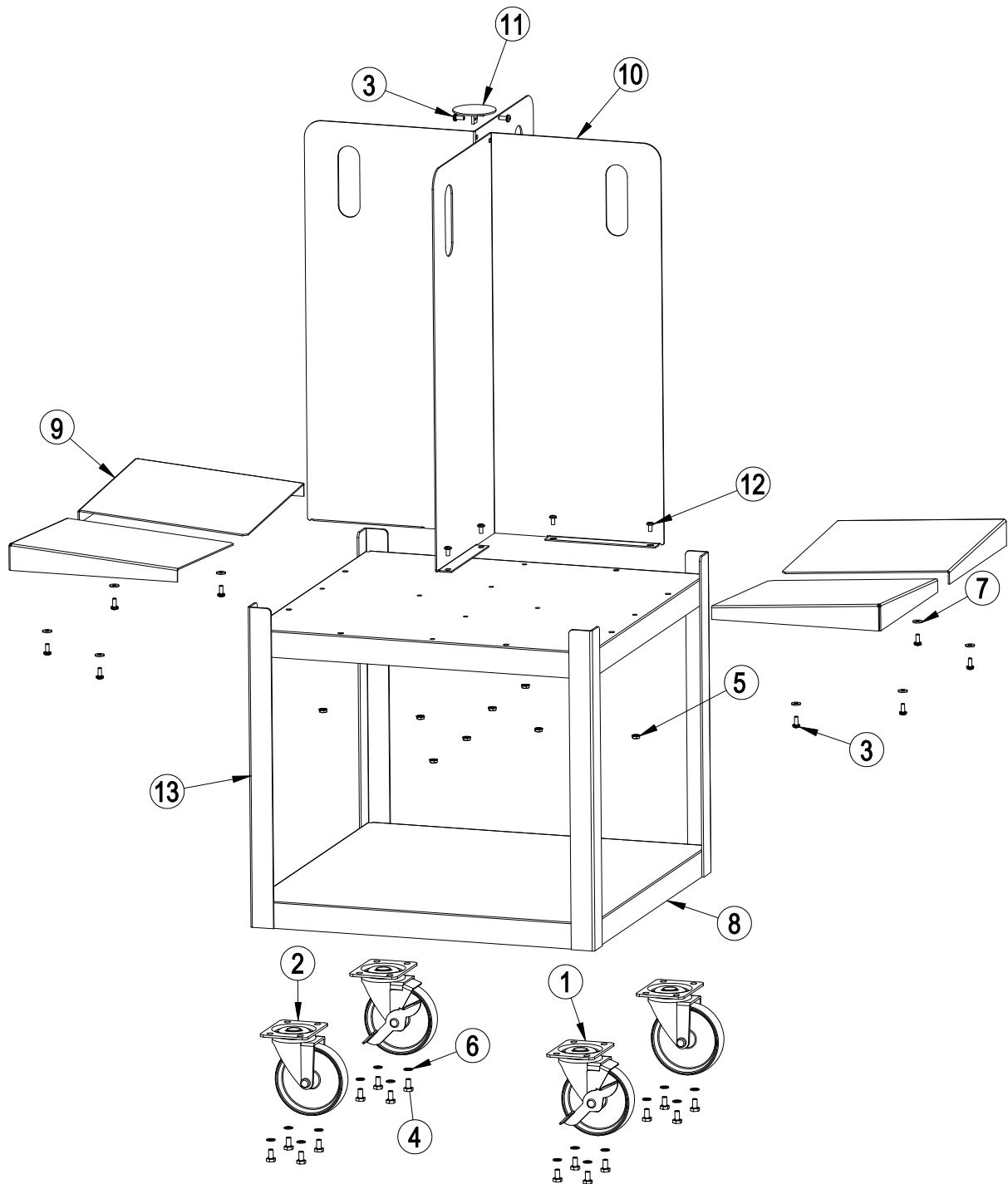


Model 500/501 StackWagon

Assembly Instructions



 **martin yale[®]**

- A. Start by carefully unpacking all parts and checking with parts list. (NOTE: Diagram represents Model 500. Model 501 is similar, but 12 inches wider.
- B. Invert base assy. (8) and fasten Casters to the support channels on the bottom. Put Locking Casters (1) in opposite corners. Use 1/4-20 x 1/2 Hex Head Bolts (4) and 1/4 Lock Washers (6) provided.
- C. Turn base assy upright and place Dividers (10) on top with holes aligned as shown. Insert 10-32 x 3/8 Phil Truss (12) from top side and attach Keps Nuts (5) from bottom (Finger tight only).
- D. Place Divider Cap (11) on top of dividers and attach with 10-32 x 1/2 Pan Sems (3) (finger tight only).
- E. Place four Corner Ramps (9) in each section with corners inside base angle. Move dividers around slightly to fit if necessary. Now tighten screws in divider cap. (NOTE: Model 500 ramps are identical, Model 501 has two left and two right ramps.)
- F. Remove one corner ramp covering screws in divider and tighten screws. Repeat on opposite corner ramp.
- G. Return (2) Corner Ramps back in place and secure all four ramps with 10-32 x 1/2 Pan Sems (3) and #10 Flat Washers (7).

CAUTION:

When stacking paper on wagon, balance the load between the four corners or in two opposite corners. This will help prevent wagon from tipping.

PARTS LIST

| Model 500 | | | | Model 501 | | | |
|-----------|-----------|------------------------|------|-----------|-----------|------------------------|------|
| Fig. | Part No. | Description | Qty. | Fig. | Part No. | Description | Qty. |
| 1 | M-O050008 | Caster w/Lock | 2 | 1 | M-O050008 | Caster w/Lock | 2 |
| 2 | M-O050011 | Caster wo/Lock | 2 | 2 | M-O050011 | Caster wo/Lock | 2 |
| 3 | M-S001023 | 10-32 x 1/2 Pan Sems | 10 | 3 | M-S001023 | 10-32 x 1/2 Pan Sems | 10 |
| 4 | M-S003004 | 1/4-20 x 1/2 Hex/H | 16 | 4 | M-S003004 | 1/4-20 x 1/2 Hex/H | 16 |
| 5 | M-S007008 | 10-32 Keps Nut | 8 | 5 | M-S007008 | 10-32 Keps Nut | 10 |
| 6 | M-S008029 | 1/4 Intl. L/Washer | 16 | 6 | M-S008029 | 1/4 Intl. L/Washer | 16 |
| 7 | M-S008005 | #10 Flat Washer | 8 | 7 | M-S008005 | #10 Flat Washer | 8 |
| 8 | W-O050000 | Base Assembly | 1 | 8 | W-O050100 | Base Assembly | 1 |
| 9 | W-O050003 | Corner Ramp | 4 | 9 | W-O050108 | Left Corner Ramp | 2 |
| 10 | W-O050006 | Divider | 2 | 9 | W-O050109 | Right Corner Ramp | 2 |
| 11 | W-O050026 | Divider Cap | 1 | 10 | W-O050106 | Divider | 2 |
| 12 | M-S001022 | 10-32 x 3/8 Phil Truss | 8 | 11 | W-O050026 | Divider Cap | 1 |
| | | | | 12 | M-S001022 | 10-32 x 3/8 Phil Truss | 10 |



251 Wedcor Avenue • Wabash, IN 46992
 Phone: 260-563-0641 • Fax: 260-563-4575
 email: info@martinyale.com • website: www.martinyale.com