



# 1711 Electronic Ease-of-Use Autofolder Parts List & Diagrams

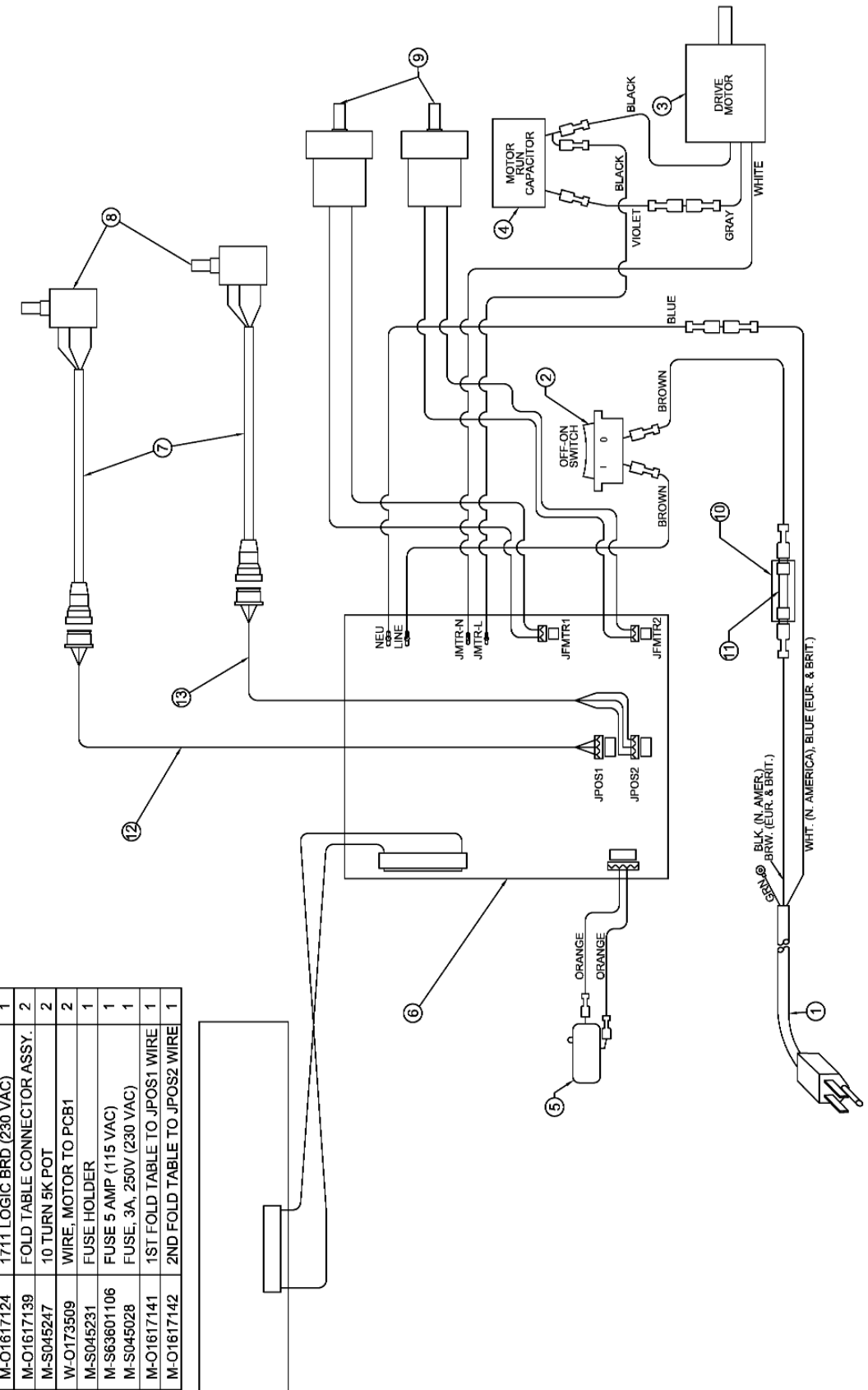


**MARTIN YALE**  
Industries

251 Wedcor Avenue • Wabash, IN 46992  
Phone: (260)563-0641 • Fax: (260)563-4575

Website: [www.martinyale.com](http://www.martinyale.com) • Email: [info@martinyale.com](mailto:info@martinyale.com)

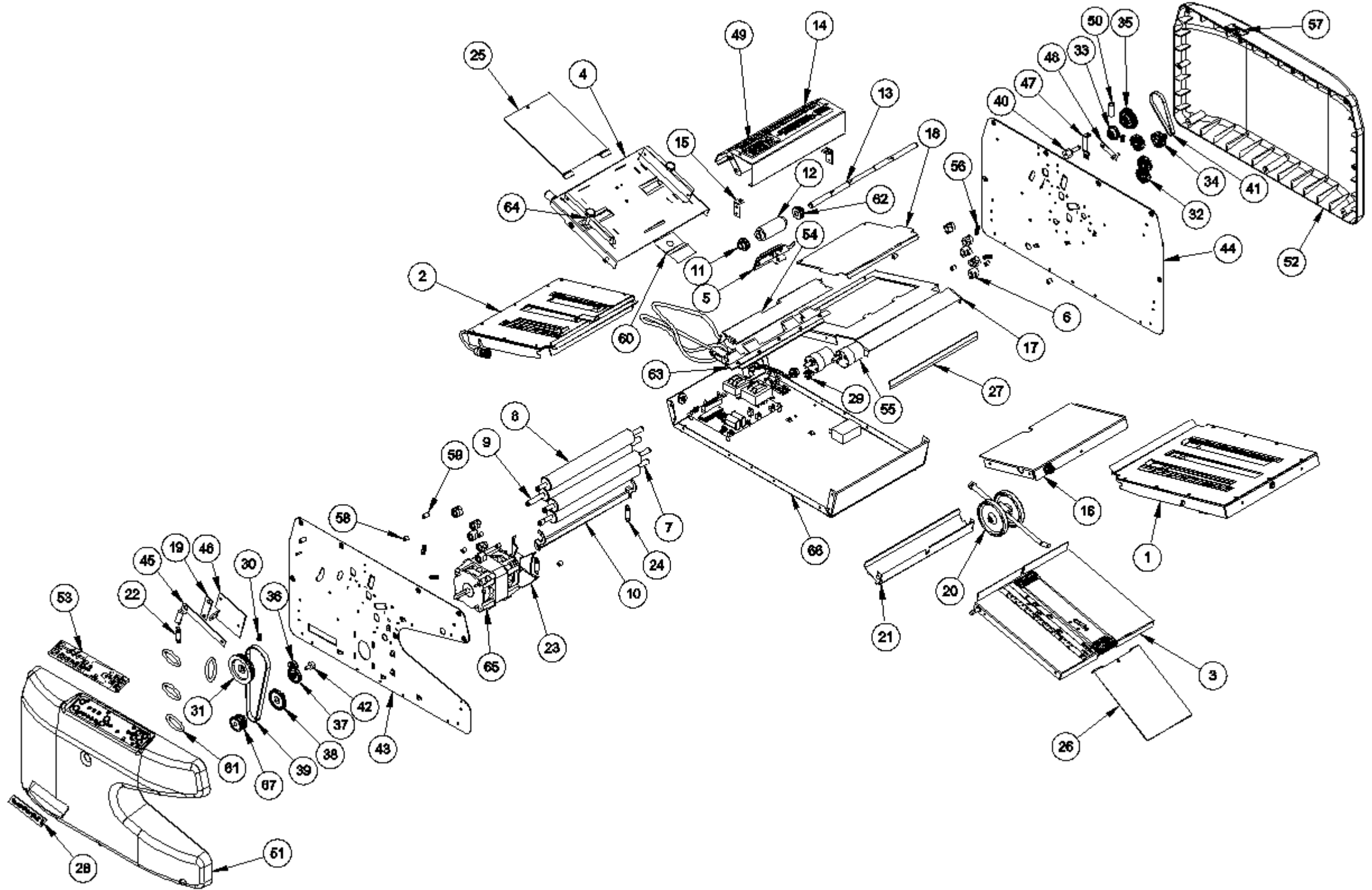
Fig.	Part Number	Description	Qty.
1	M-S037020	115V N. AMERICAN LINE CORD	1
	M-S037286	EUROPEAN CORD, 10 AMP	1
	M-S045177	BRITISH LINE CORD, 3 AMP	1
2	M-S033053	SPST ROCKER SWITCH O-I	1
3	M-S021064	110V MOTOR 1501X AC	1
	M-S021065	CV7 AC MOTOR (230 VAC)	1
4	M-S045101	20 MFD MOTOR CAP (115 VAC)	1
	M-S045249	6 MFD MOTOR CAP (230 VAC)	1
5	M-S033070	CONVEYOR SWITCH	1
6	M-O1617123	1711 LOGIC BRD (115 VAC)	1
	M-O1617124	1711 LOGIC BRD (230 VAC)	1
7	M-O1617139	FOLD TABLE CONNECTOR ASSY.	2
8	M-S045247	10 TURN 5K POT	2
9	W-O173509	WIRE, MOTOR TO PCB1	2
10	M-S045231	FUSE HOLDER	1
11	M-S63601106	FUSE 5 AMP (115 VAC)	1
	M-S045028	FUSE, 3A, 250V (230 VAC)	1
12	M-O1617141	1ST FOLD TABLE TO JPOS1 WIRE	1
13	M-O1617142	2ND FOLD TABLE TO JPOS2 WIRE	1



1711 Wiring Diagram

# 1711 Parts List & Diagram

Item	Part No.	Description	Qty
1	W-A1617023	1711 1st Fold Table Assy	1
2	W-A1617029	1711 2nd Fold Table Assy	1
3	W-A1601036	Conveyor Table Assy	1
4	W-A1617003	Feed Table Assembly	1
5	W-A1617054	Retarder Assembly	1
6	M-S013009	3/8 ID Brg w/Flats	10
7	WRA1617115	Pack Grind 4th Roller	1
8	WRA1617114	Pack Grind 3rd Roller	2
9	WRA1617113	Pack Grind 2nd Roller	1
10	W-O1617008	Paper Diverter 1611	1
11	W-N1617092	Paper Hold Down Wheel	2
12	WRA1617089	Mold Feed Tire	1
13	W-O1617061	Feed Shaft	1
14	W-A1617034	Top Cover Assembly	1
15	W-O1617091	Pem Top Cover Mount Brkt	2
16	W-O1617031	Pem Fold Table Support	1
17	W-F1617032	P/C Motor Cover	1
18	W-F1617118	P/C PCB Access Panel	1
19	W-O1617140	B/O Friction Plate	1
20	W-A1617065	Conveyor Stack Wheels	1
21	W-O1617066	Exit Deflector	1
22	M-S031013	Ext. Spring	1
23	M-S037094	4" Fan Left H. Plastic	1
24	M-S031103	E-Spr.18x1.0x.015	2
25	W-O1601043	P/C Paper Support	1
26	W-O1601038	P/C Catch Tray	1
27	M-O2051076	Anti-Static Strip	1
28	M-O1617122	1711 Logo Label	1
29	M-O1617068	Gear 15T 24P 6mm Bore	2
30	M-S031115	.026 x .3OD x .5L Comp. Spring	2
31	M-O1601083	Pulley Gear Combo	1
32	M-O1601086	Roller Gear	3
33	W-A1617143	Feed Clutch Gear Assy	1
34	M-O1617033	Feed Wheel Drive Combo	1
35	M-O001685	60/22T Pulley/Gear	1
36	M-O1601081	Conveyor Drive Gear	1
37	M-O1601082	Conveyor Step Gear	1
38	M-O1601080	Conv. Gear, Driven	1
39	M-S025055	140T 3mm HTD Belt	1
40	W-O1617111	Feed Idler Stud	1
41	M-S025004	105T MXL Belt 1/4"W	1
42	M-O1601062	Conv. Step Gear Stud	1
43	W-O1617070	Pem Front Frame	1
44	W-O1617069	Rivet Back Frame	1
45	W-O1617037	Feed Table Spring Plate	1
46	W-O1617060	Feed Table Adj Plate	1
47	W-O1617103	Pem Retarder Adj Brkt	1
48	W-O1617043	Pem Retarder Bellcrank	1
49	M-O1617106	Top Cover Sticker	1
50	M-S019076	Retaining Spacer Sprt 105	1
51	M-O1617119	1611/1711 Front Cover	1
52	M-O1617120	1611/1711 Back Cover	1
53	M-O1617127	1711 Display Label	1
54	W-A1617039	Feed Bridge Assembly	1
55	W-O173509	Wire, Motor To PCB1	2
56	M-S031034	Comp. Spring Red	4
57	M-O1617129	Retarder Adj Sticker	1
58	M-S019060	10-32 x 5/16 x 5/16 Standoff	10
59	M-S019061	10-32 x 5/16 x 1/2 Standoff	2
60	W-O1617131	Wear Plate	1
61	M-S037422	O-Ring, 322, Buna-N	4



Item	Part No.	Description	Qty
62	M-S037421	O-Ring, 210, Neoprene	2
63	W-A1617141	Paper Feed Deflector Assy	1
64	WRA003016	Paper Guide Adj Screw	2

Used on 115V Only (pictured)

Item	Part No.	Description	Qty
65	M-S021064	110V Motor 1501X AC	1
66	W-A1617117-1	1611 Base Assembly	1
67	M-S022124	3mm HTD 30T	1

Used on 230V Only (not pictured)

Item	Part No.	Description	Qty
65	M-S021065	CV7 AC Motor 220V	1
66	W-A1617117-3	1611230 Base Assy	1
67	M-S022143	32T 3mm HTD Pulley	1